



*Shown with optional Dual Fan Condenser

WE TOOK SOME OF THE COMPONENTS FROM THE HD SERIES AND SPLIT THEM INTO SMALLER INDIVIDUAL COMPONENTS FOR TIGHT SPACES. THE VES DELUXE SERIES ULTRA IS PERFECT FOR SMALL TRAILERS, VANS, RV'S, HEAVY DUTY CONSTRUCTION EQUIPMENT, OR WHEREVER YOU NEED ADDITIONAL COOLING. DON'T HAVE A BIG ENOUGH ALTERNATOR CHARGING SYSTEM? ADD SOME BATTERIES AND A CHARGER TO MAKE THE SYSTEM ISOLATED FROM THE ENGINE'S CHARGE CIRCUIT. AVAILABLE IN 12/24 OR 48 VOLTS DC.

FEATURES:

- SMALL SPACE SAVING DESIGN
- EVAPORATOR BRACKETS CAN BE LOCATED ON THE TOP OR BOTTOM OF THE ENCLOSURE FOR CEILING OR CABINET MOUNTING.
- DEEP EVAPORATOR CONDENSATION TRAY IS PERFECT FOR OFF ROAD OR HEAVY EQUIPMENT
- COMPRESSOR CAN BE HIDDEN AWAY FROM VIEW
- LOW POWER CONSUMPTION USING OUR ALWAYS ACTIVE ECO MODE VARIABLE COMPRESSOR SPEED TECHNOLOGY

SPECIFICATIONS FOR VES DELUXE ULTRA S

OPERATING VOLTAGE	CURRENT CONSUMPTION	COOLING CAPACITY
12s- 10-15 VDC	12s- 35-38 AMPS*	12s- 6K BTU
24s- 20-31 VDC	24s- 20-27 AMPS*	24s- 9.5K BTU

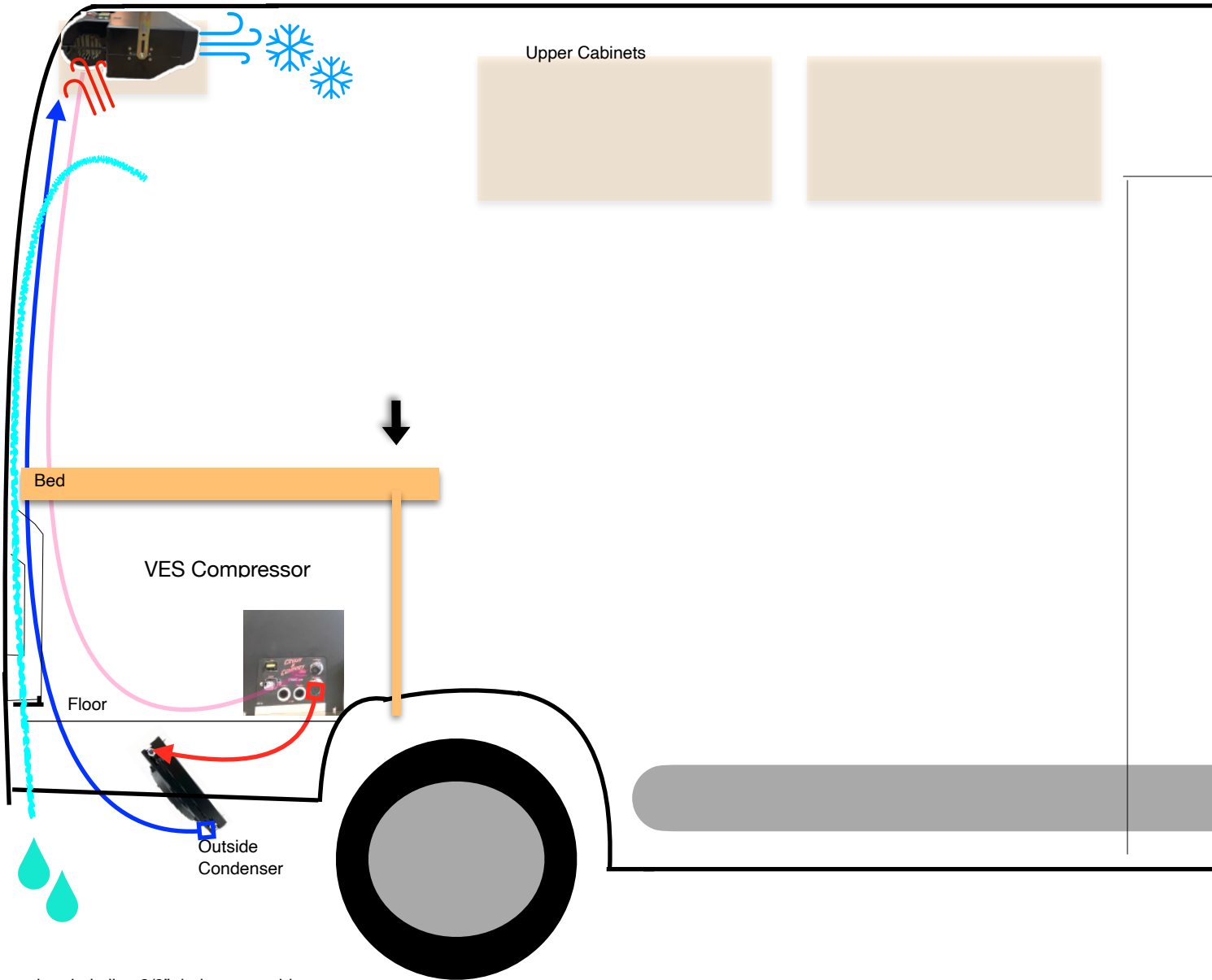
SPECIFICATIONS FOR VES DELUXE ULTRA L

OPERATING VOLTAGE	CURRENT CONSUMPTION	COOLING CAPACITY
12L- 10-15 VDC	12L- 38-55 AMPS*	12L- 8.5K BTU
24L- 20-31 VDC	24L- 25-33 AMPS*	24L- 9.5K BTU
48L- 40-62 VDC	48L- 8-16 AMPS*	48L- 11K BTU

Please note that the VES Deluxe Series ULTRA can accept almost all upgrades that are available to the HD series except the condensation tray and the air

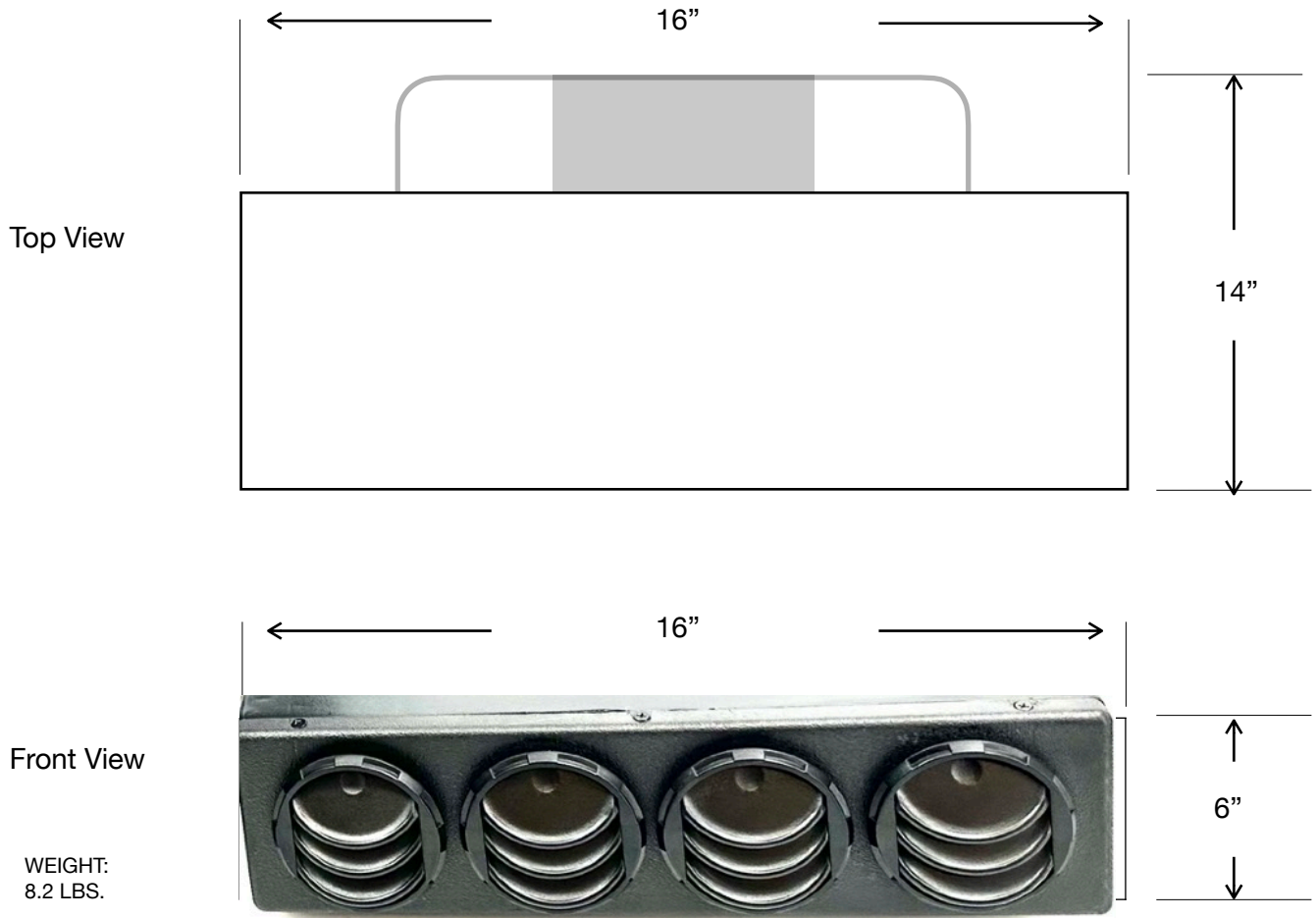
*Current ratings are nominal. Current ratings can fluctuate depending on accessories and or operating conditions. All specifications and features are subject to change without notice.

This diagram shows a typical set up with the ULTRA Evaporator up high above the back doors in a van. The ULTRA Evaporator can be built into a cabinet or an enclosure can be built to hide it as long as return air can enter the back of the unit and the cold air can leave the front.

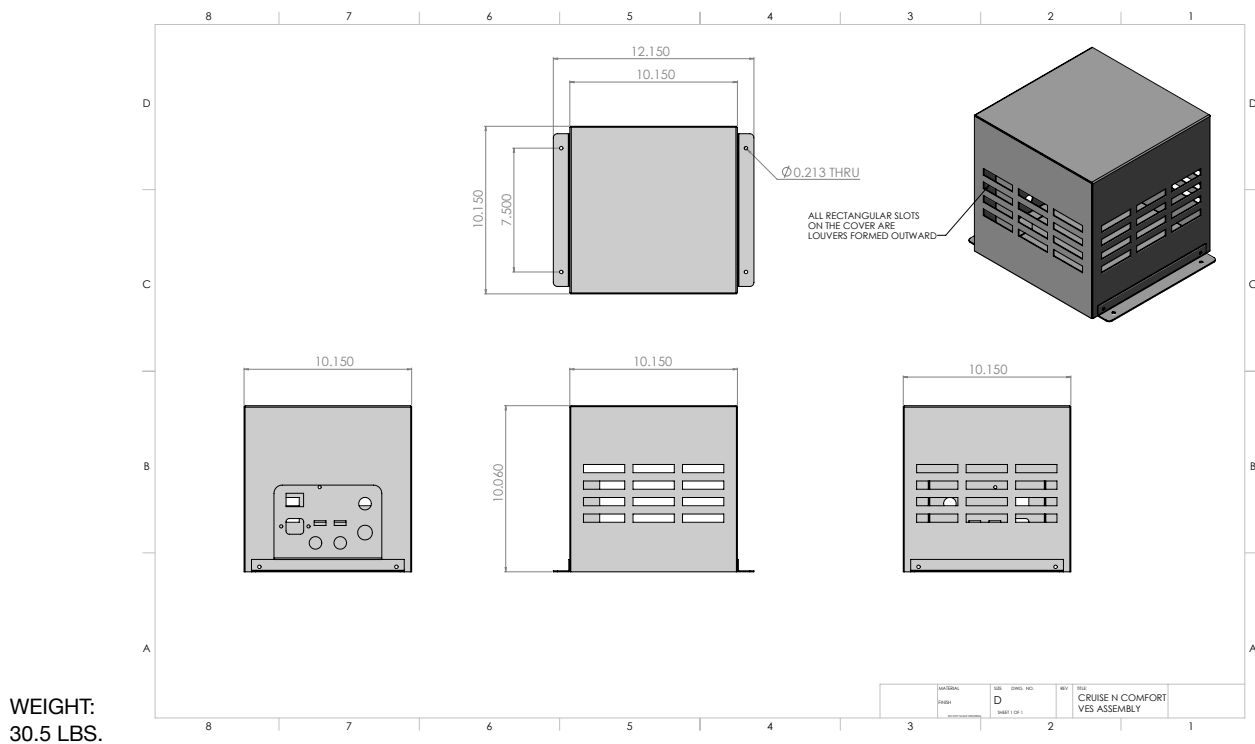


Condensation drain line 3/8" drains to outside

Evaporator Assembly



Compressor Assembly

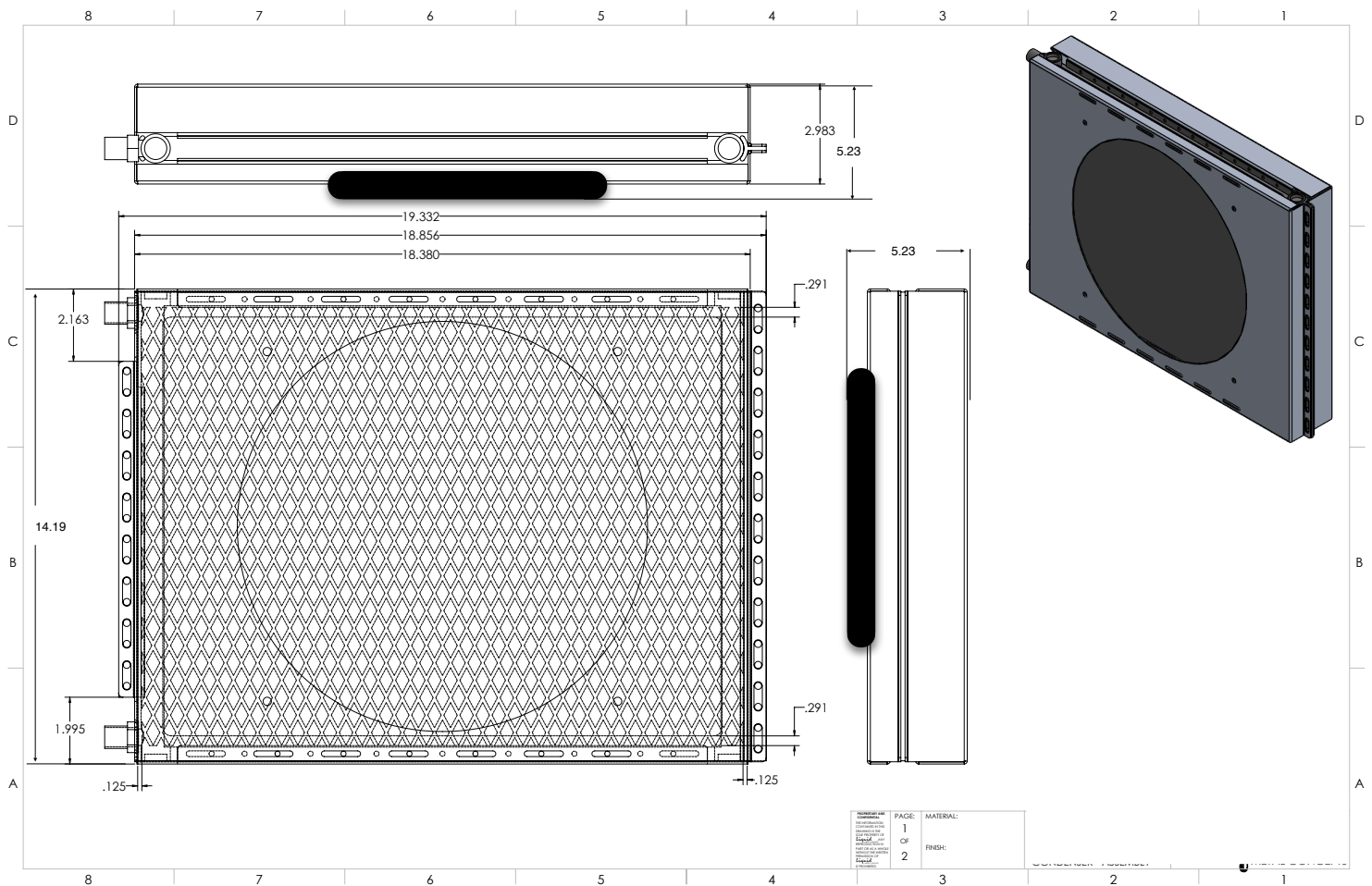


Single Fan Condenser

- Automotive grade powder coated aluminum construction.
- Efficient parallel flow technology
- High flow IP 68 rated water and dust resistant performance fans



Optional Rock Guard



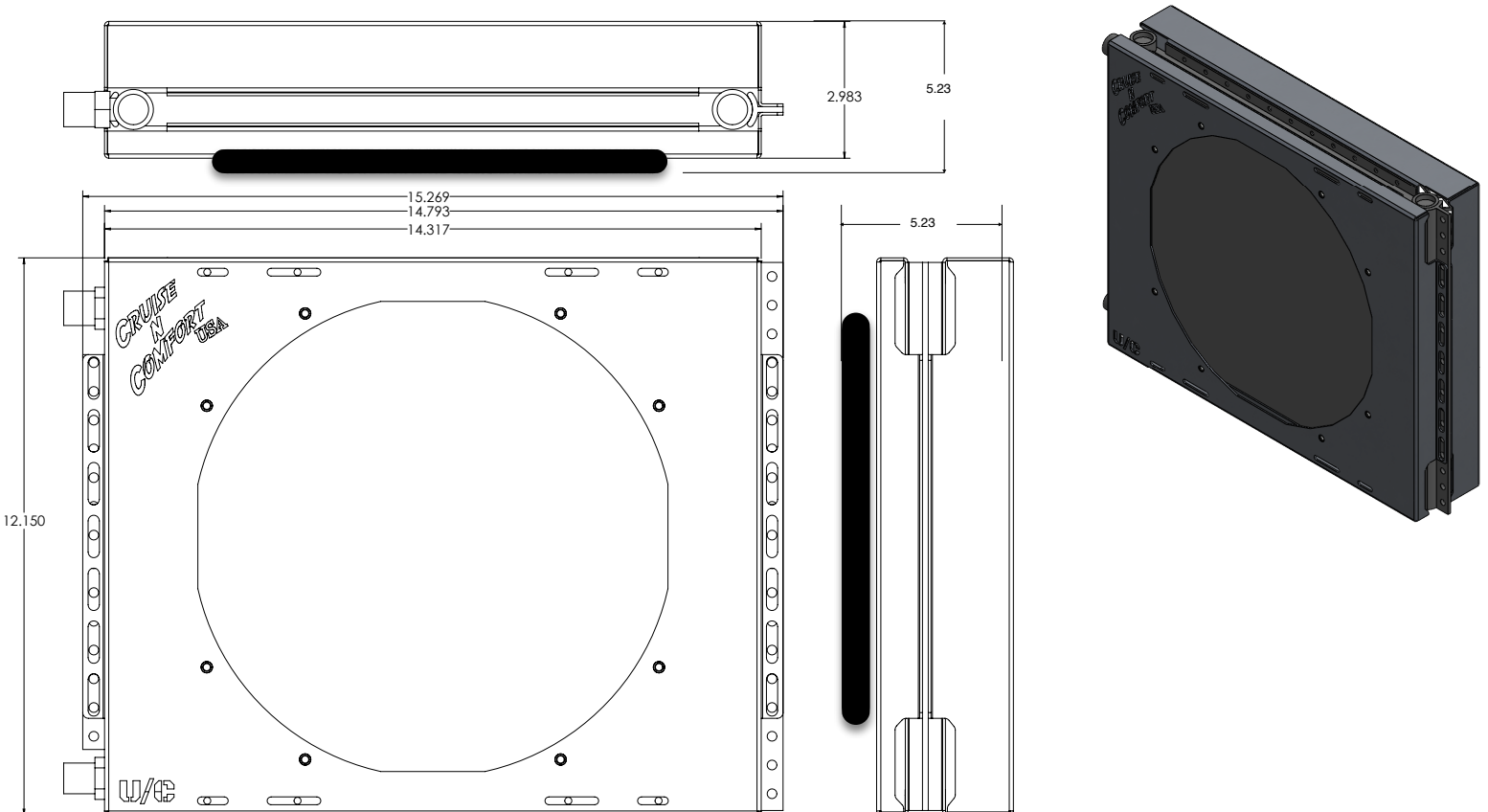
WEIGHT:
 SINGLE FAN CONDENSER 7.8LBS.
 SINGLE FAN ROCK GUARD 1.6 LBS.

Optional Mini Condenser

- Automotive grade powder coated aluminum construction.
- Efficient parallel flow technology
- High flow IP 68 rated water and dust resistant performance fans
- *Recommended only for S Model units in non extreme climates. Can be used with larger L models if compressor speed is reduced but please note this will reduce btu output.

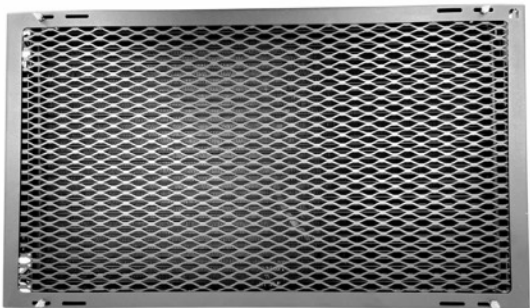


Optional Rock Guard



Dual Fan Extreme Climate Condenser

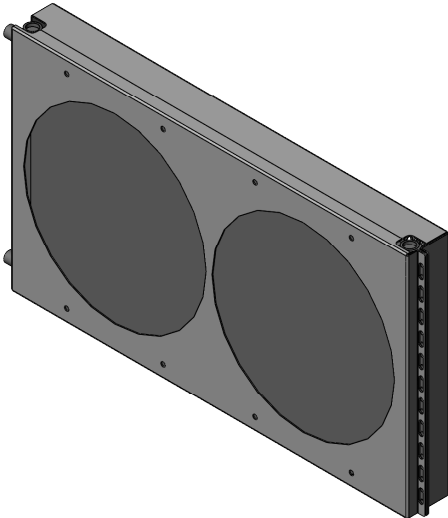
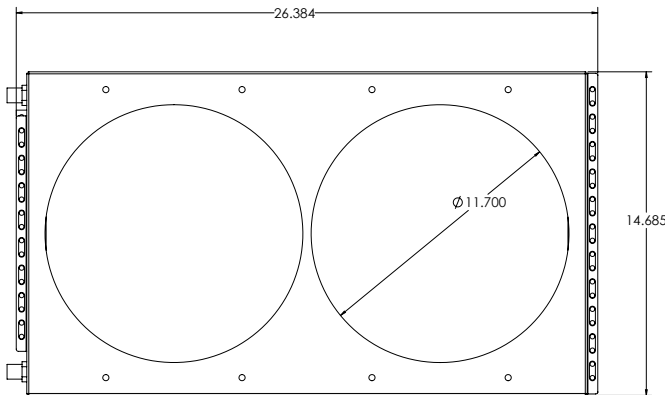
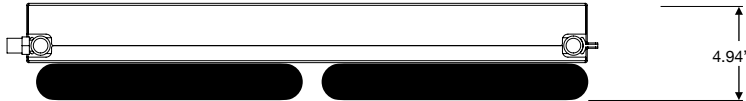
- Automotive grade powder coated aluminum construction.
- Efficient parallel flow technology
- High flow IP 68 rated water and dust resistant performance fans



Optional Rock Guard Shown



Optional Rock Guard and Stainless Condenser Brackets Shown

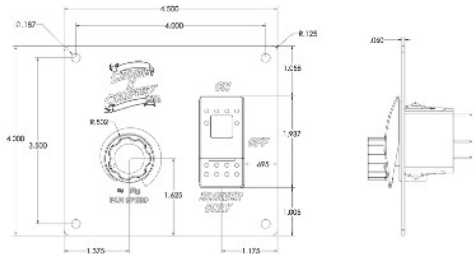


WEIGHT:
 DUAL FAN CONDENSER 11.7 LBS.
 DUAL FAN ROCK GUARD 2.1 LBS.



Manual Control

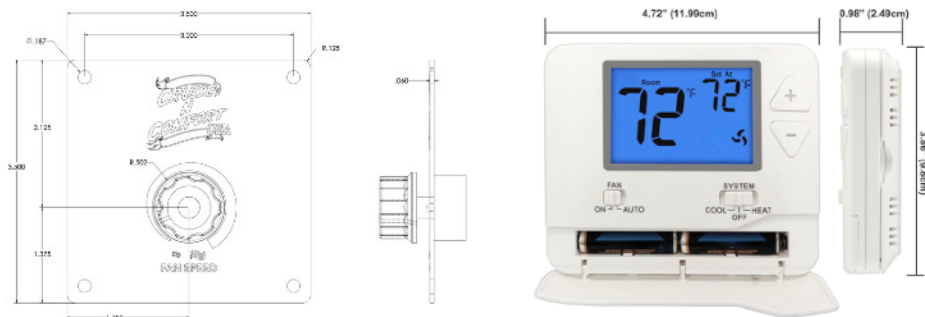
The Manual Control allows for on/ off / blower only control of our units. It can be panel mounted on the wall or dash of a vehicle. The panel also includes a potentiometer to control the PWM module blower speed controller.



Thermostat Options

DT-07 Thermostat:

The DT-07 is a basic digital thermostat that will turn the unit off at the temperature set point. Includes a PWM potentiometer with mounting plate for efficient blower control. Thermostat also has a heat function that can trigger a heating device (24 volt DC Relay required). Available Colors: White (-W) or Black (-B)



WiFi Thermostat Options

Unlike competitor's WiFi thermostats, which either require a cellular chip activated by a specific carrier or only offer direct WiFi connection to a cell phone like Bluetooth, our WiFi thermostats broadcast over the internet when connected to a 2.4 GHz network of your choice. These connections can be established through a cellular phone from almost any carrier, a tablet, a WiFi hotspot, or even Starlink satellite WiFi. You can leave the internet device in the vehicle, allowing the thermostat to maintain an internet connection. This enables you to connect to, view, and control your vehicle's temperature, and turn the unit on or off from anywhere using the app.

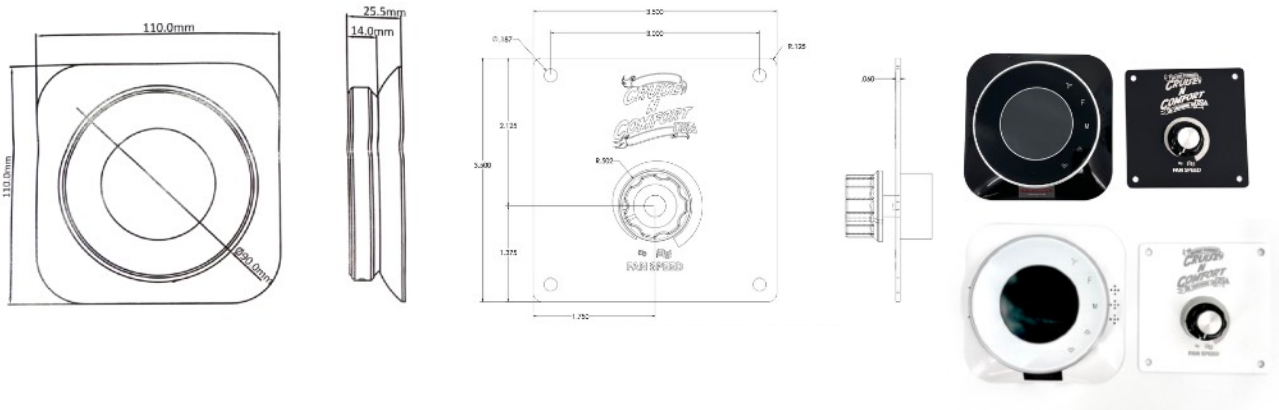
DT-04 WiFi App Enabled Thermostat:

Our new thermostat is app enabled with a customer supplied WiFi connection and is prewired for our systems. Includes a PWM potentiometer with mounting plate for efficient blower control. Thermostat also has a heat function that can trigger a heating device (24 volt DC Relay required).

Available Colors: White (-W) or Black (-B)



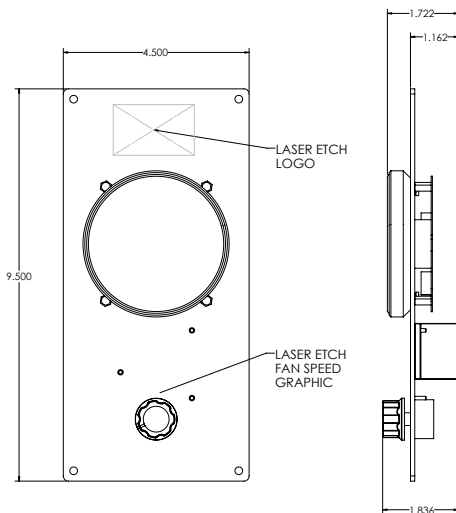
*Wifi app compatible with internet hot spots and routers that can transmit 2.4 ghz.



Thermostat Mounting Plate for DT-04-TP:

The DT-04-TP is an easy solution for mounting our DT-04 thermostats. We machine these brackets, powder-coat them and assemble them with our DT-04 thermostat.

Available Colors: White (-W) or Black (-B)

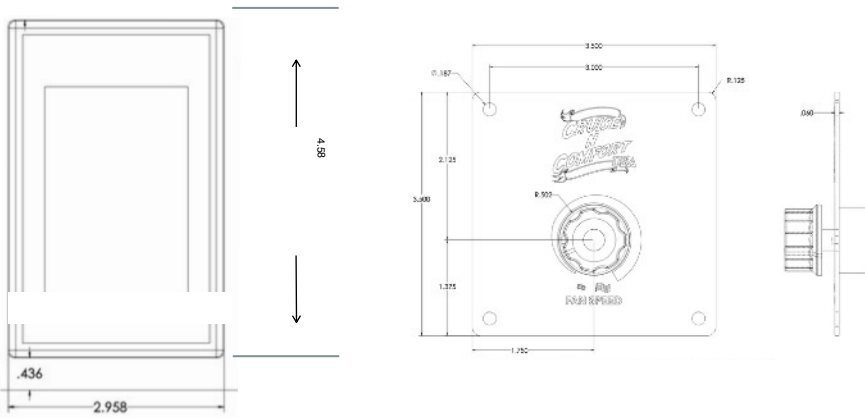


DT-05 WiFi App Enabled Thermostat:

Our new thermostat is app enabled with a customer supplied WiFi connection and is prewired for our systems. Includes a PWM potentiometer with mounting plate for efficient blower control. Thermostat also has a heat function that can trigger a heating device (24 volt DC Relay required). Available Colors: White (-W) or Black (-B)

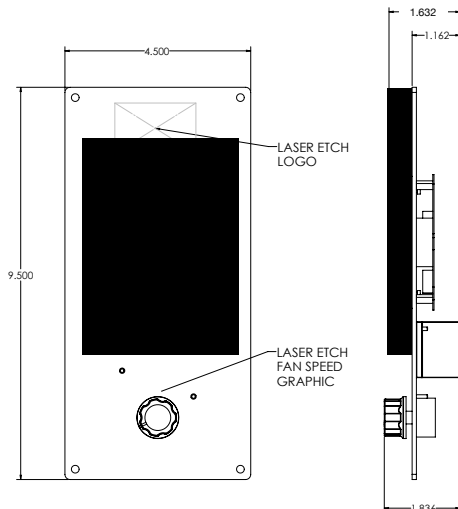


*Wifi app compatible with internet hot spots and routers that can transmit 2.4 ghz.



Thermostat Mounting Plate for DT-05-TP:

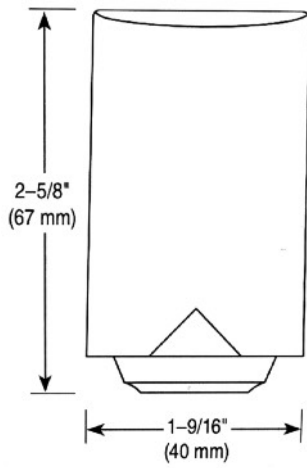
The DT-05-TP is an easy solution for mounting our DT-05 thermostats. We machine these brackets, powder-coat them and assemble them with our DT-05 thermostat. Available Colors: White (-W) or Black (-B)



Optional Sensors for DT-05:

DT-OS Outdoor wired temperature sensor displays the actual outside temperature to the DT-05 thermostat. *

Cruise N Comfort sticker can be removed

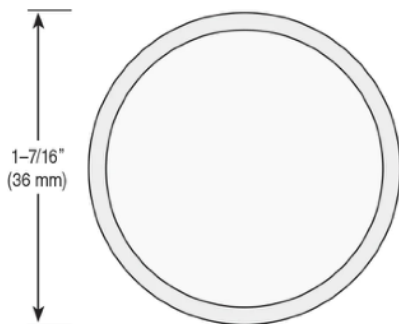


DT-IS Remote wired flush mount indoor sensor allows for temperature sensing in areas away from thermostat. The thermostat can then be set to take readings from the thermostat sensor, remote sensor or average between both.

*Cruise N Comfort sticker can be removed



Front View



Side View

