



Discover Cruise N Comfort USA's top-quality marine air conditioning systems, offering unparalleled performance and durability. With over 13 years of manufacturing experience, we pride ourselves on providing exceptional solutions for all your marine cooling needs. The MES ICEBOX is a multi-split marine air conditioner, known for its innovation and versatility, available in multiple voltages. Built with premium-grade stainless steel and weather-resistant connectors, it ensures long-lasting strength and resilience in harsh marine conditions. The system's 3-piece design allows for flexibility in tight spaces without compromising performance. Unlike traditional systems, Cruise N Comfort USA utilizes true variable speed DC compressors for improved efficiency and quieter operation. The injection molded composite evaporator and IP68 rated blower motor provide durability and flexibility in installation. We only use the best 90/10 Cupro Nickel water condenser coils that are great for fresh and salt water environments. These coils are made for us in the USA and feature coaxial "tube-in-tube" design that allows for maximum heat transfer. WiFi-enabled thermostats, users can control their boat's temperature remotely. Choose Cruise N Comfort USA for exceptional marine cooling solutions that redefine onboard comfort.

FEATURES:

- SMALL SPACE-SAVING DESIGN
- EVAPORATOR BRACKETS CAN BE LOCATED ON THE TOP OR BOTTOM OF THE ENCLOSURE FOR CEILING OR CABINET MOUNTING.
- DEEP COMPOSITE EVAPORATOR CONDENSATION TRAY IS PERFECT FOR OFFSHORE USE
- 360 DEGREE IP68 RATED 4" ROTATABLE BLOWER
- COMPRESSOR CAN BE HIDDEN AWAY FROM VIEW
- LOW POWER CONSUMPTION USING OUR ALWAYS ACTIVE ECO MODE VARIABLE COMPRESSOR SPEED TECHNOLOGY
- USA MADE HIGH EFFICIENCY CONDENSER COIL FOR ALL MARINE ENVIRONMENTS

SPECIFICATIONS:

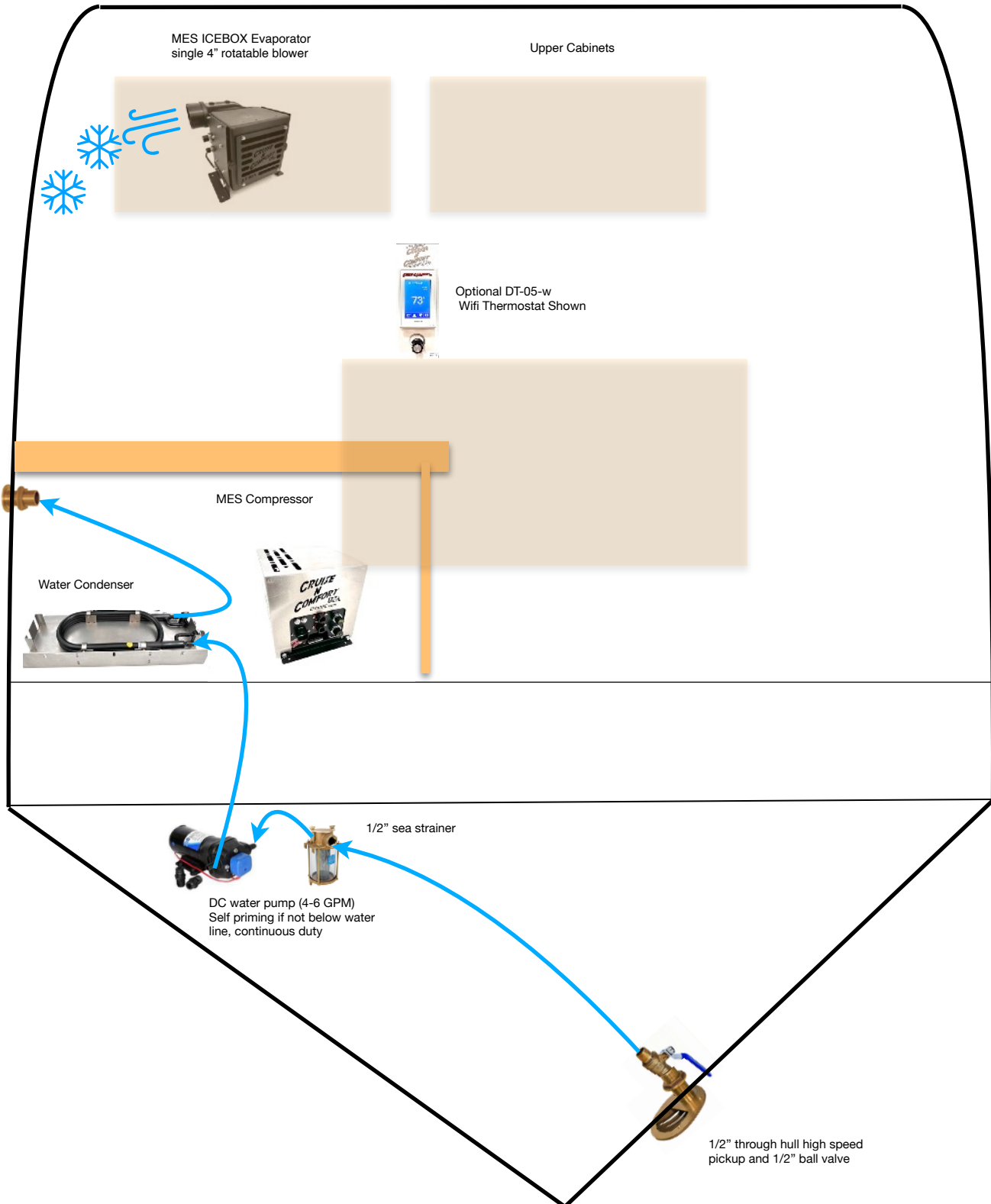
OPERATING VOLTAGE	CURRENT CONSUMPTION	COOLING CAPACITY
12L- 10-15 VDC	12L- 38-45 AMPS*	12L- 10K BTU
24L- 20-31 VDC	24L- 20-27 AMPS*	24L- 11.5K BTU
48L- 40-62 VDC	48L- 8-14 AMPS*	48L- 12K BTU

*Current ratings are nominal. Current ratings can fluctuate depending on accessories and or operating conditions

All specifications and features are subject to change without notice. Power consumption numbers do not include customer supplied water pump.

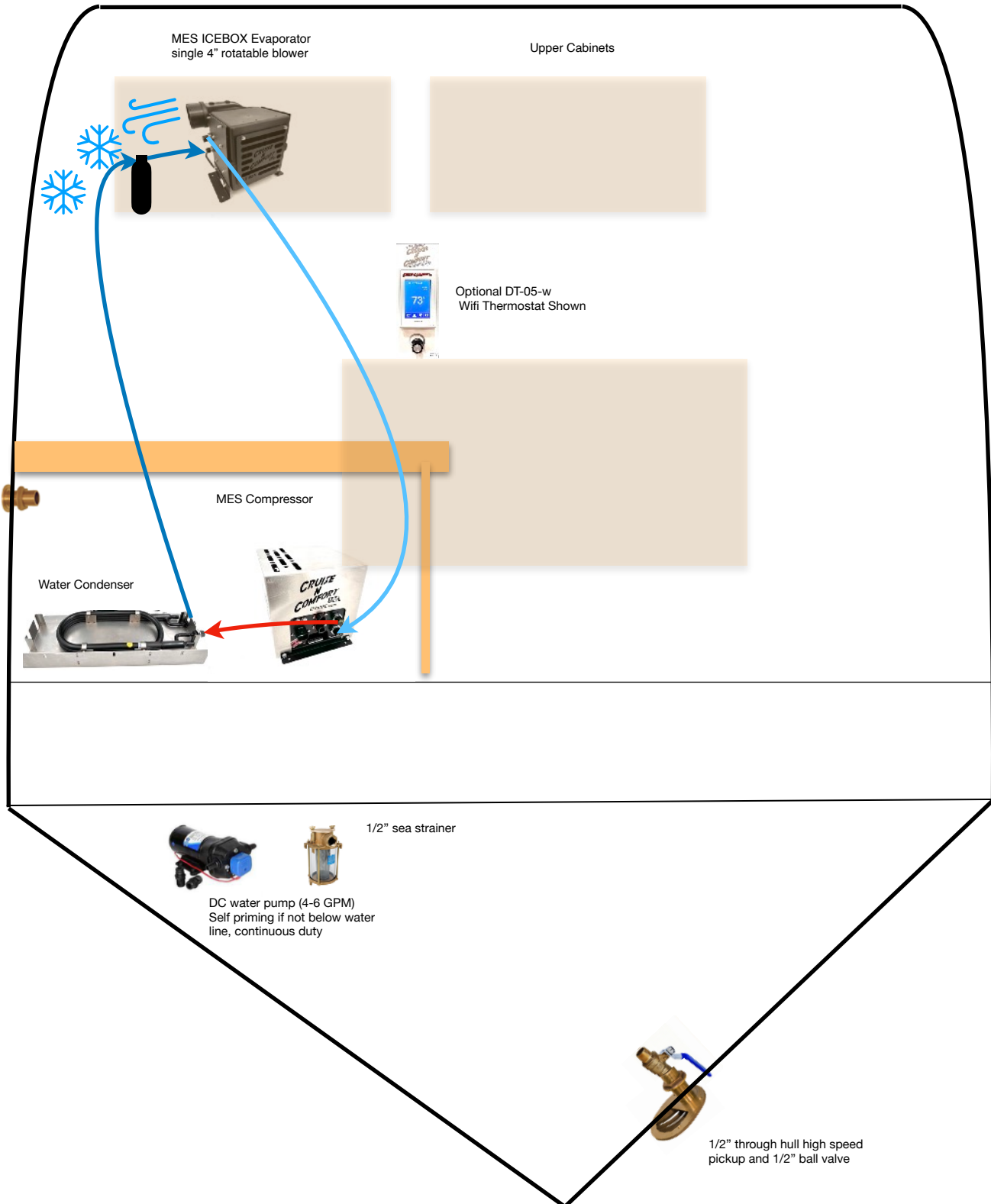
** To use the Wifi features on the Dt-04 and Dt-05 an internet signal must be present within range of the thermostat. Current ratings are tested with 28 feet total refrigerant hose combined. Longer refrigerant lines can alter cooling performance and increase current consumption.

Typical Marine Installation
Water condenser connections

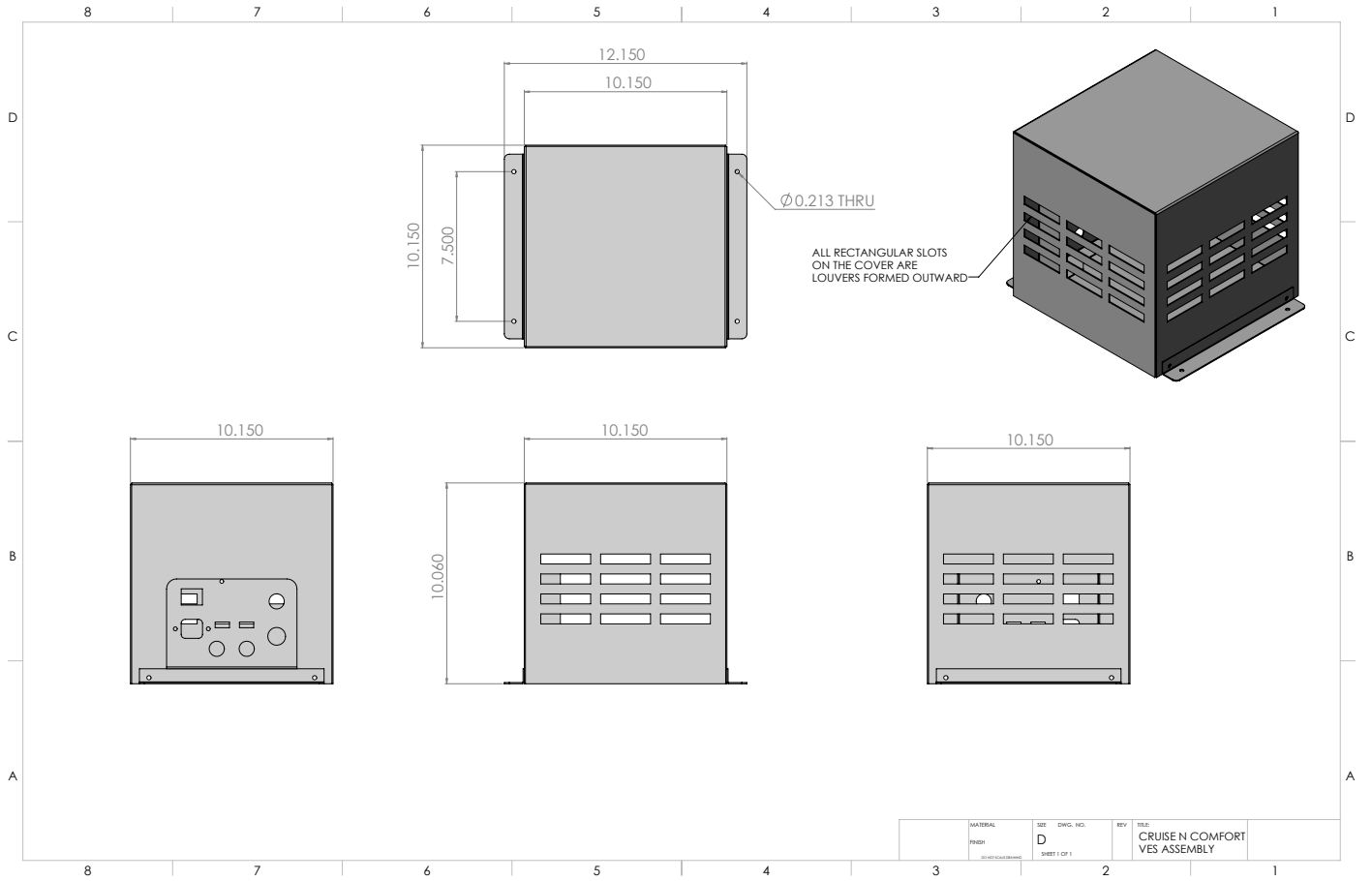


Typical Marine Installation Refrigeration Line Connections

Components are connected with SAE automotive grade flexible refrigeration line. These lines are not included because of various lengths and distances between components. You may submit a custom order for these hoses and we can make them in house or order bulk hose and fittings and crimp them yourself.

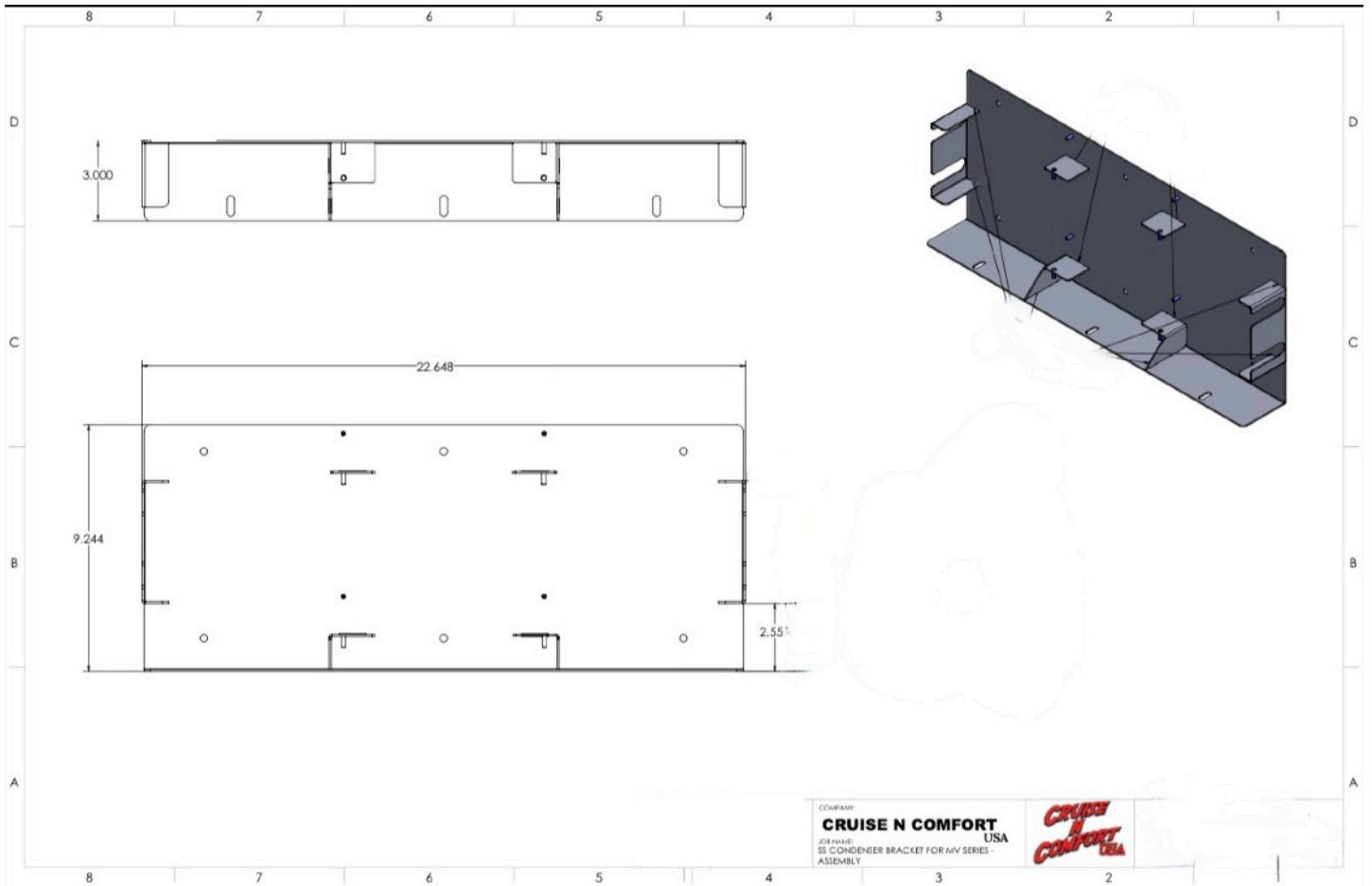


MES
ICEBOX
 Compressor Assembly

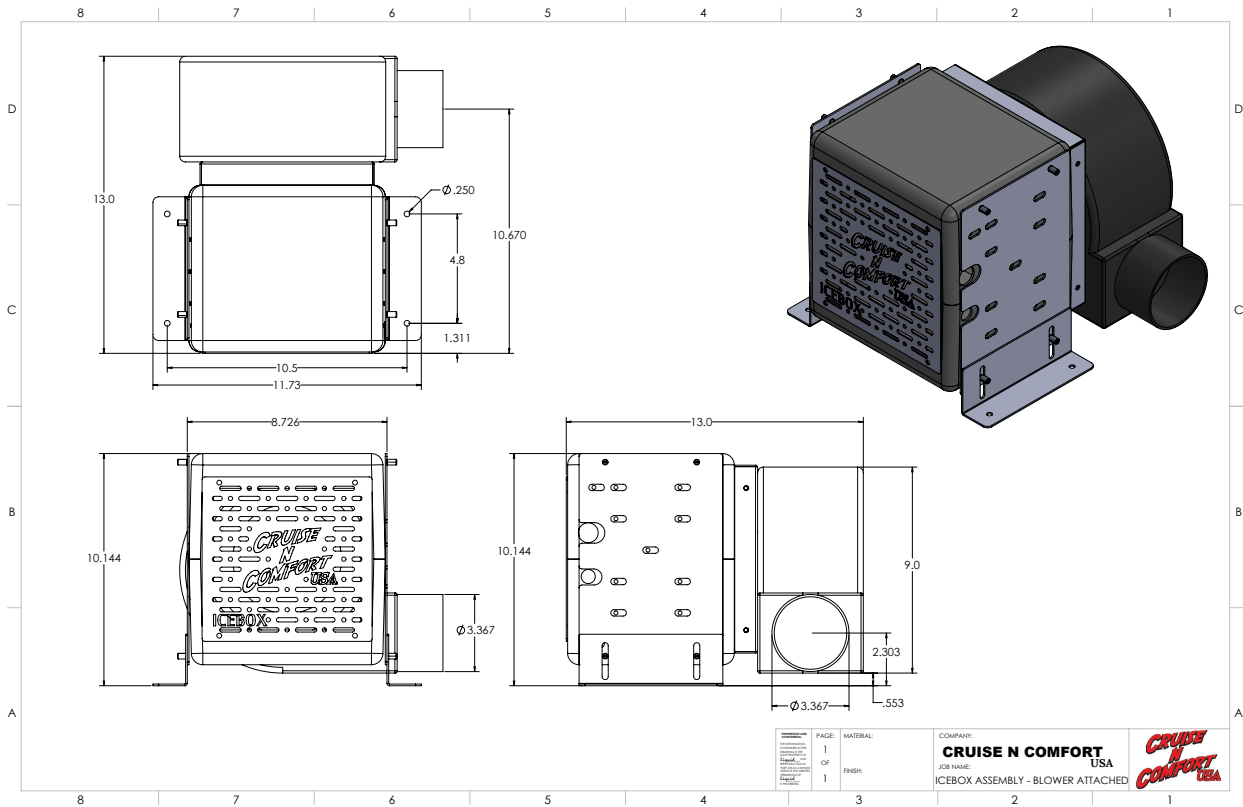


WEIGHT:
 30.5

MES
ICEBOX
Stainless Condenser Bracket



MES
ICEBOX
 Evaporator Assembly



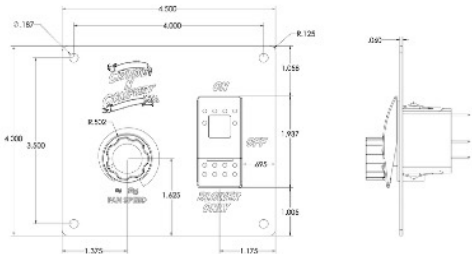
Weight 18 lbs



Control Options for all models except MAXX and Classic

Manual Control

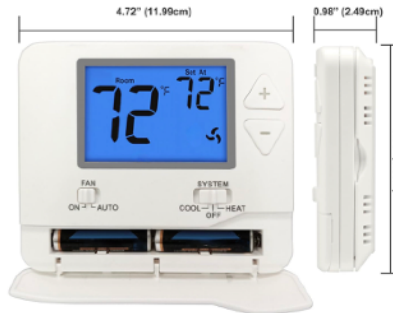
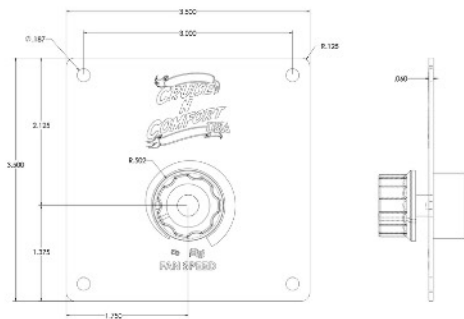
The Manual Control allows for on/ off / blower only control of our units. It can be panel mounted on the wall or dash of a vehicle. The panel also includes a potentiometer to control the PWM module blower speed controller.



Thermostat Options

DT-07 Thermostat:

The DT-07 is a basic digital thermostat that will turn the unit off at the temperature set point. Includes two PWM potentiometer with mounting plate for efficient control. Thermostat also has a heat function that can trigger a heating device (24 volt DC Relay required). Available Colors: White (-W) or Black (-B)



CRUISE N COMFORT USA

1020 West Ranch Road Suite 102 Tempe, AZ 85284
Tel: 1(855)899-1442 Fax: 1(888)246-2832

WiFi Thermostat Options

Unlike competitor's WiFi thermostats, which either require a cellular chip activated by a specific carrier or only offer direct WiFi connection to a cell phone like Bluetooth, our WiFi thermostats broadcast over the internet when connected to a 2.4 GHz network of your choice. These connections can be established through a cellular phone from almost any carrier, a tablet, a WiFi hotspot, or even Starlink satellite WiFi. You can leave the internet device in the vehicle, allowing the thermostat to maintain an internet connection. This enables you to connect to, view, and control your vehicle's temperature, and turn the unit on or off from anywhere using the app.

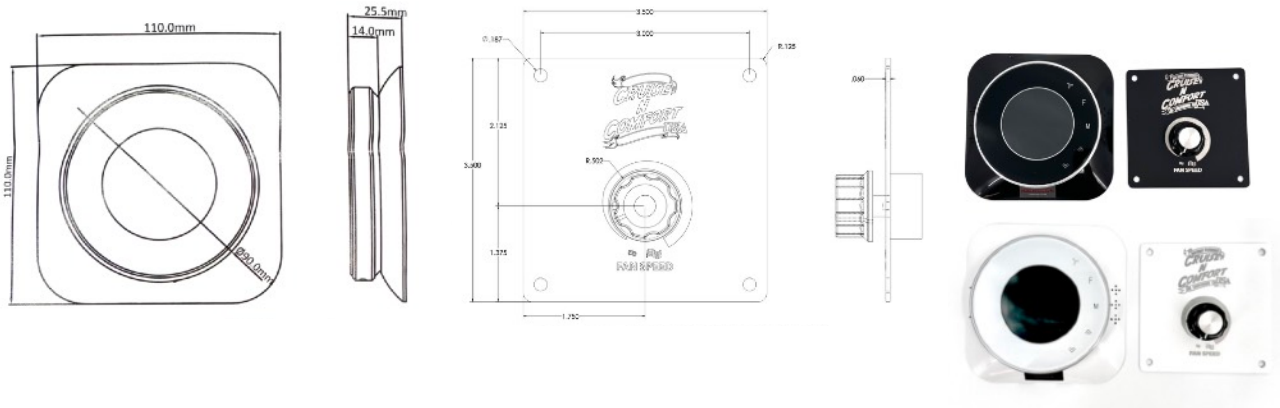
DT-04 WiFi App Enabled Thermostat:

Our new thermostat is app enabled with a customer supplied WiFi connection and is prewired for our systems. Includes a PWM potentiometer with mounting plate for efficient blower control. Thermostat also has a heat function that can trigger a heating device (24 volt DC Relay required).

Available Colors: White (-W) or Black (-B)



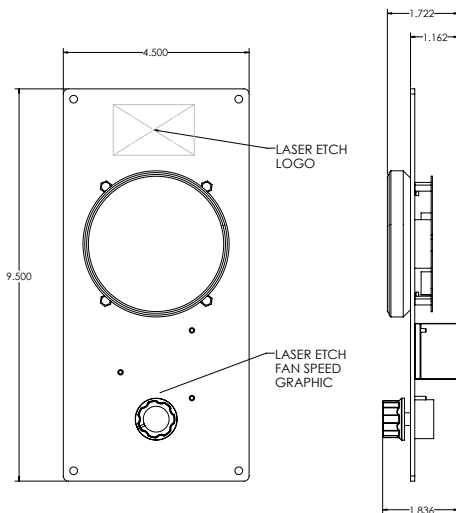
*Wifi app compatible with internet hot spots and routers that can transmit 2.4 ghz.



Thermostat Mounting Plate for DT-04-TP:

The DT-04-TP is an easy solution for mounting our DT-04 thermostats. We machine these brackets, powder-coat them and assemble them with our DT-04 thermostat.

Available Colors: White (-W) or Black (-B)

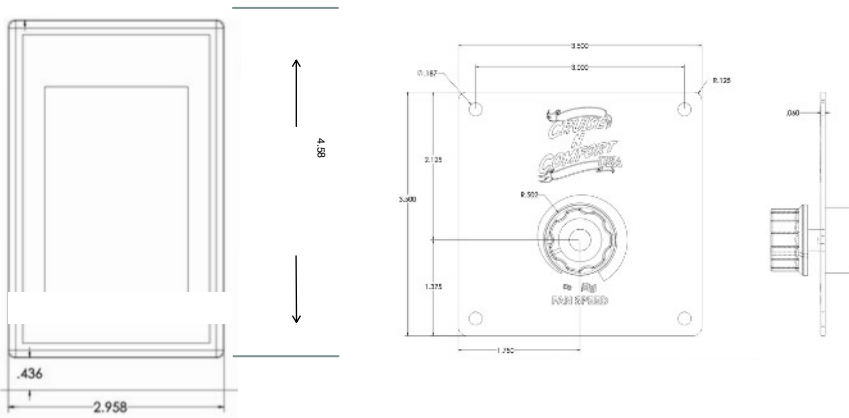


DT-05 WiFi App Enabled Thermostat:

Our new thermostat is app enabled with a customer supplied WiFi connection and is prewired for our systems. Includes a PWM potentiometer with mounting plate for efficient blower control. Thermostat also has a heat function that can trigger a heating device (24 volt DC Relay required). Available Colors: White (-W) or Black (-B)

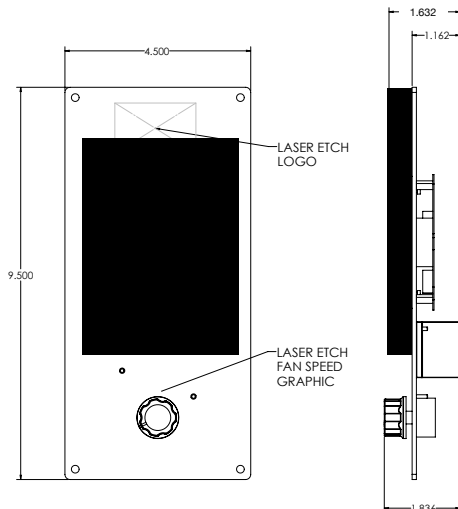


*Wifi app compatible with internet hot spots and routers that can transmit 2.4 ghz.



Thermostat Mounting Plate for DT-05-TP:

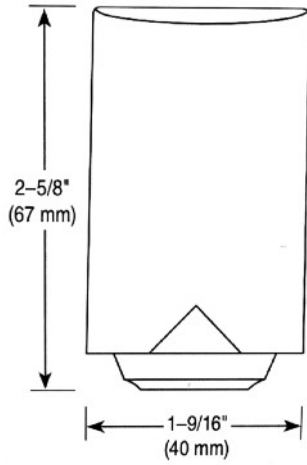
The DT-05-TP is an easy solution for mounting our DT-05 thermostats. We machine these brackets, powder-coat them and assemble them with our DT-05 thermostat. Available Colors: White (-W) or Black (-B)



Optional Sensors for DT-05:

DT-OS Outdoor wired temperature sensor displays the actual outside temperature to the DT-05 thermostat. *

Cruise N Comfort sticker can be removed

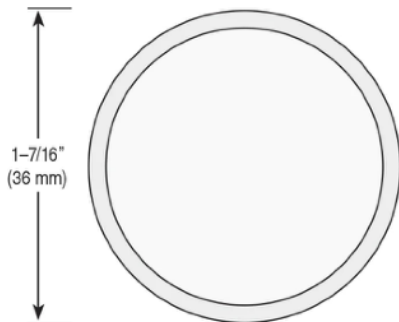


DT-IS Remote wired flush mount indoor sensor allows for temperature sensing in areas away from thermostat. The thermostat can then be set to take readings from the thermostat sensor, remote sensor or average between both.

*Cruise N Comfort sticker can be removed



Front View



Side View

