



CNC MARINE  
MES MAXX 12/ 24 VOLT



Introducing the MES Maxx - a pinnacle of air conditioning technology. At its core, the MES MAXX boasts a substantial MAXX evaporator paired with efficient twin variable-speed compressors. With a focus on optimizing air distribution, the MAXX evaporator is equipped with six generous 4" vents, making it the ideal choice for cooling large spaces effectively. These evaporators not only deliver powerful performance but also prioritize energy efficiency through the integration of PWM Technology. Furthermore, they are engineered for quiet operation with four centrifugal low-noise blowers, and a high-capacity 600 CFM blower, ensuring a comfortable environment. To top it off, the efficient composite evaporator top mounting brackets simplify installation. Proudly designed and assembled in Arizona, the MES Maxx embodies a commitment to quality and innovation, offering unmatched cooling performance for your comfort and convenience. Experience excellence in air conditioning with MES Max, where technology meets reliability.

Features:

- 6 large 4" rotatable vents with powder coated fascia for quieter and direct able air flow
- Adjustable Compressor baseline for adjusting current consumption and BTU output
- Always active Eco Mode
- Included manual control with infinite variable speed Pulse Width Modulation blower control
- Thermostat ready for all of our optional thermostat options including wifi enabled

Specifications:

MES MAXX 12L

Voltage Range 10-15 VDC

Current Consumption 69-85 AMPS @ 12 Volts VDC\*  
18k BTU

MES MAXX 24L

Voltage Range 20-31 VDC

Current Consumption 48-60 AMPS @ 24 Volts VDC\*  
19k BTU

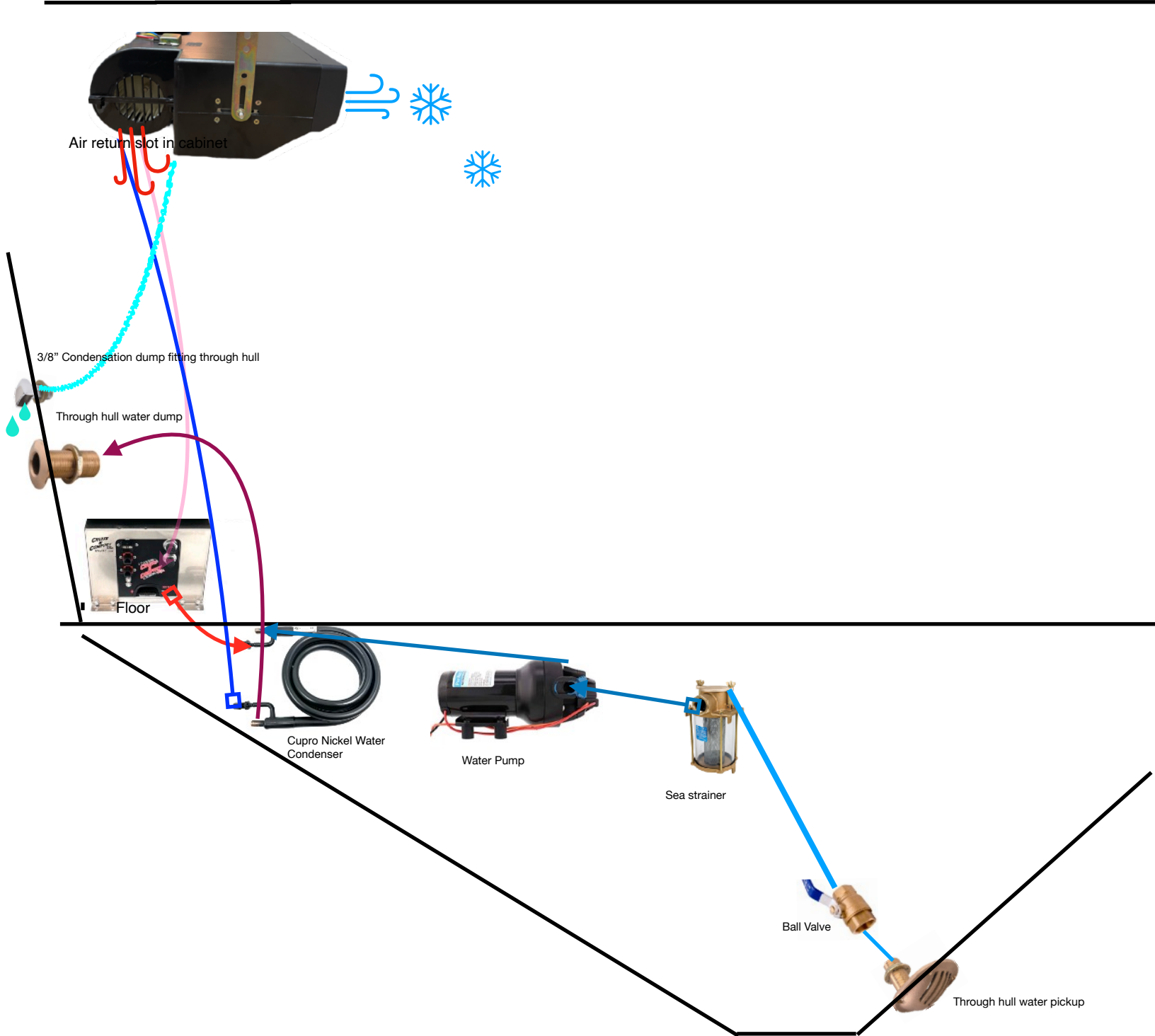
\*Current ratings are nominal. Current ratings can fluctuate depending on accessories and or operating conditions

All specifications and features are subject to change without notice. Power consumption numbers do not include customer supplied water pump.

\*\* To use the Wifi features on the Dt-04 and Dt-05 an internet signal must be present within range of the thermostat. Current ratings are tested with 28 feet total refrigerant hose combined. Longer refrigerant lines can alter cooling performance and increase current consumption.

This diagram shows a typical set up with the large MAXX Evaporator up high above the back doors in a van. The MAXX Evaporator is rated at a powerful 600 cfm so the cold air will travel the length of a large enclosure and the cold air will fall. The MAXX Evaporator can be built into a cabinet or an enclosure can be built to hide it as long as return air can enter the back of the unit and the cold air can leave the front.

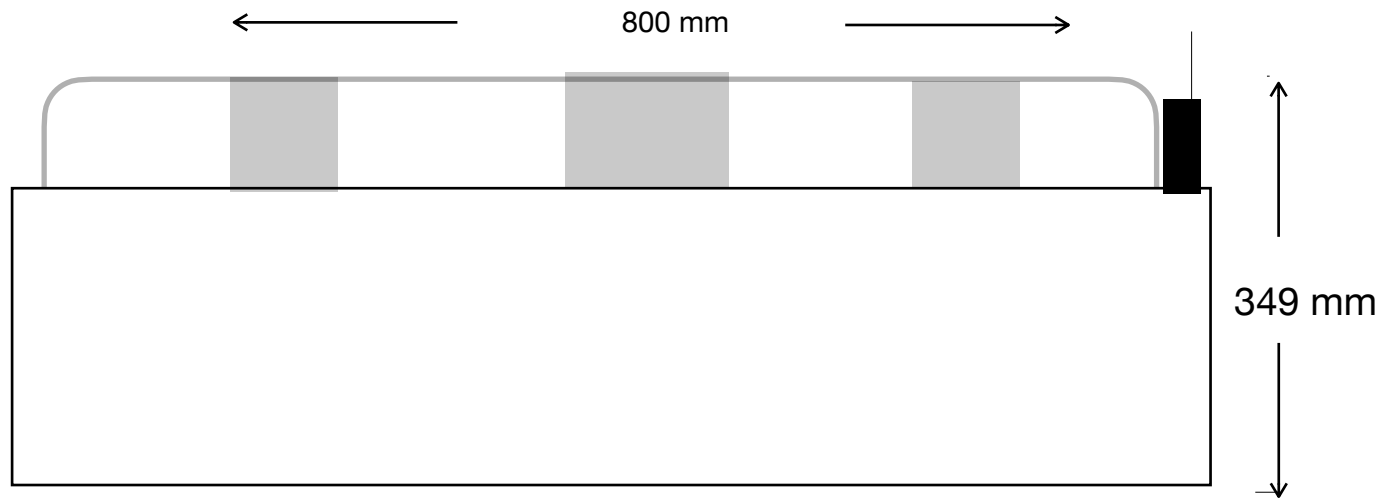
### Typical Marine Installation



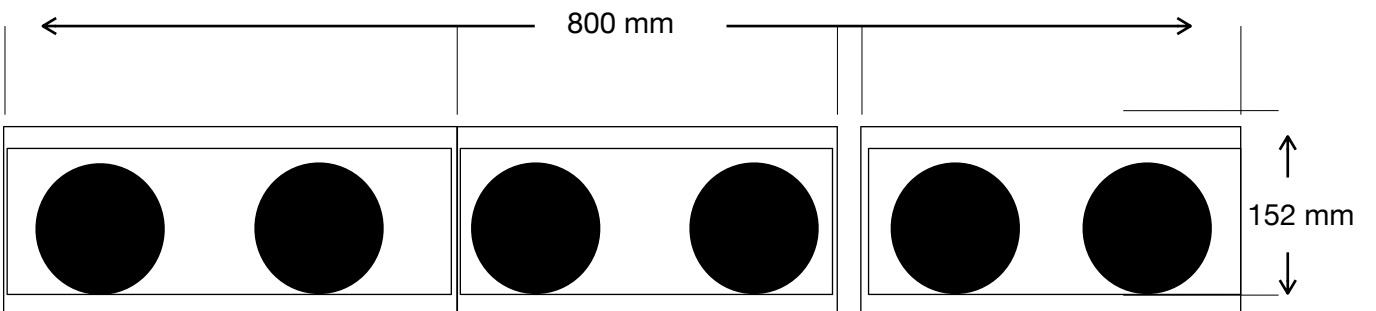
# Evaporator Dimensions



Top View



Front View



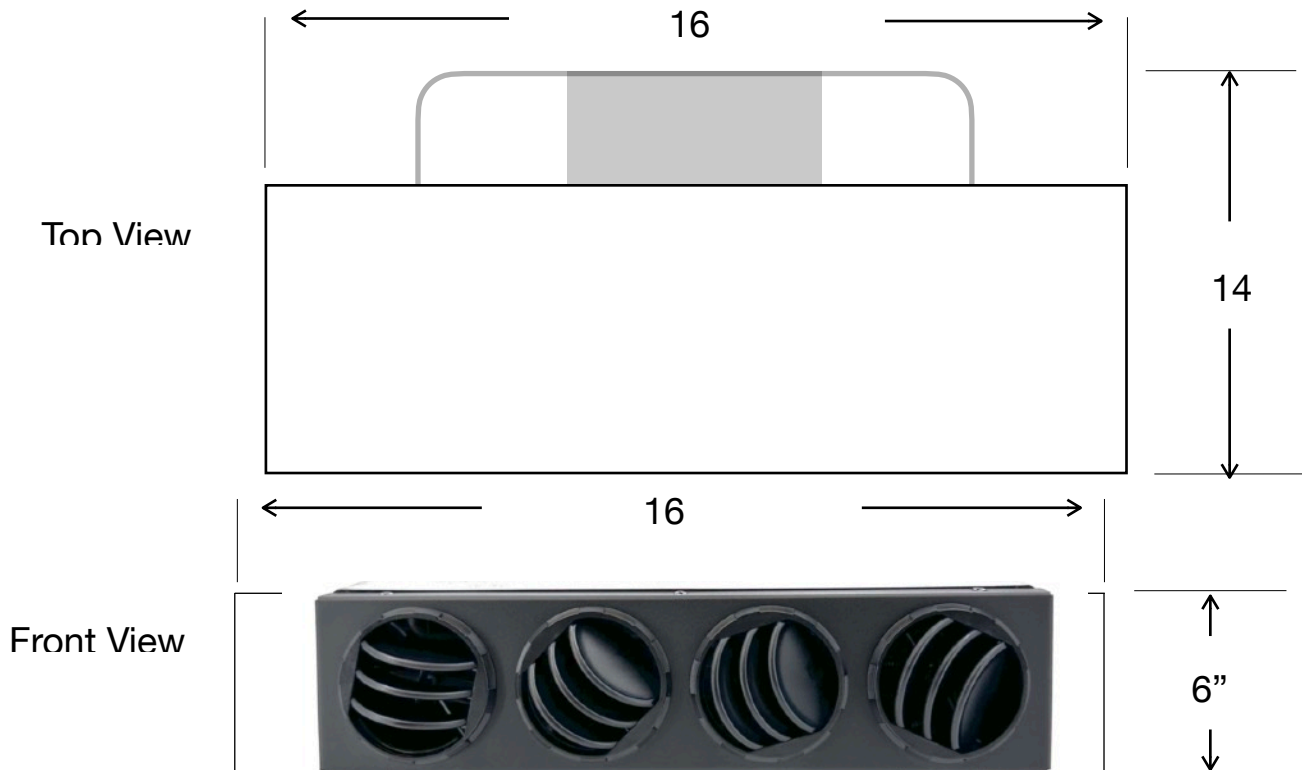
## Optional Evaporator Configurations:

### **MES MAXX ULTRA**

Introducing the MES Maxx ULTRA - a game-changing solution in air conditioning technology. This remarkable product features two MES ULTRA evaporators that are at the forefront of efficiency and performance. With efficient twin variable-speed compressors, the ULTRA evaporators excel in cooling large spaces with ease. These units redefine air distribution by allowing for precise cooling in two different locations without the need for ducting, thanks to four 3" rotatable vents. Hydronic heat coil built in is a available option to give the ability to run coolant from the engine or a hydronic heater. Leveraging PWM Technology for optimal efficiency, the ULTRA evaporators are not only powerful but also energy-conscious. The incorporation of twin low-noise centrifugal blowers and composite evaporator top mounting brackets ensures quiet operation and easy installation. What's more, they are proudly designed and assembled in Arizona, reflecting our commitment to quality and innovation. Elevate your air conditioning experience with MES Maxx ULTRA, where cutting-edge technology meets performance excellence.



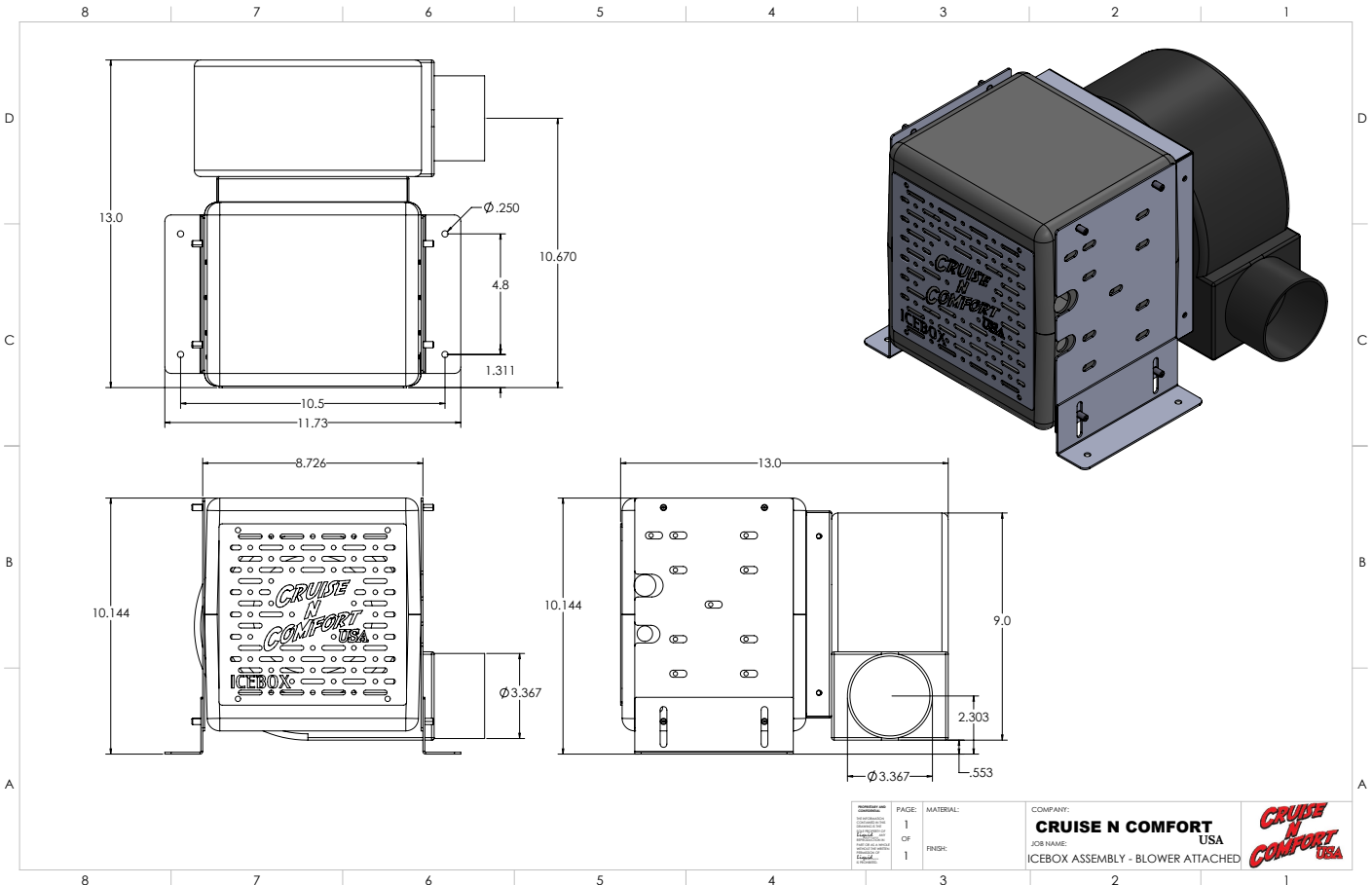
### Ultra Evaporator



Weight 8.2 lbs.

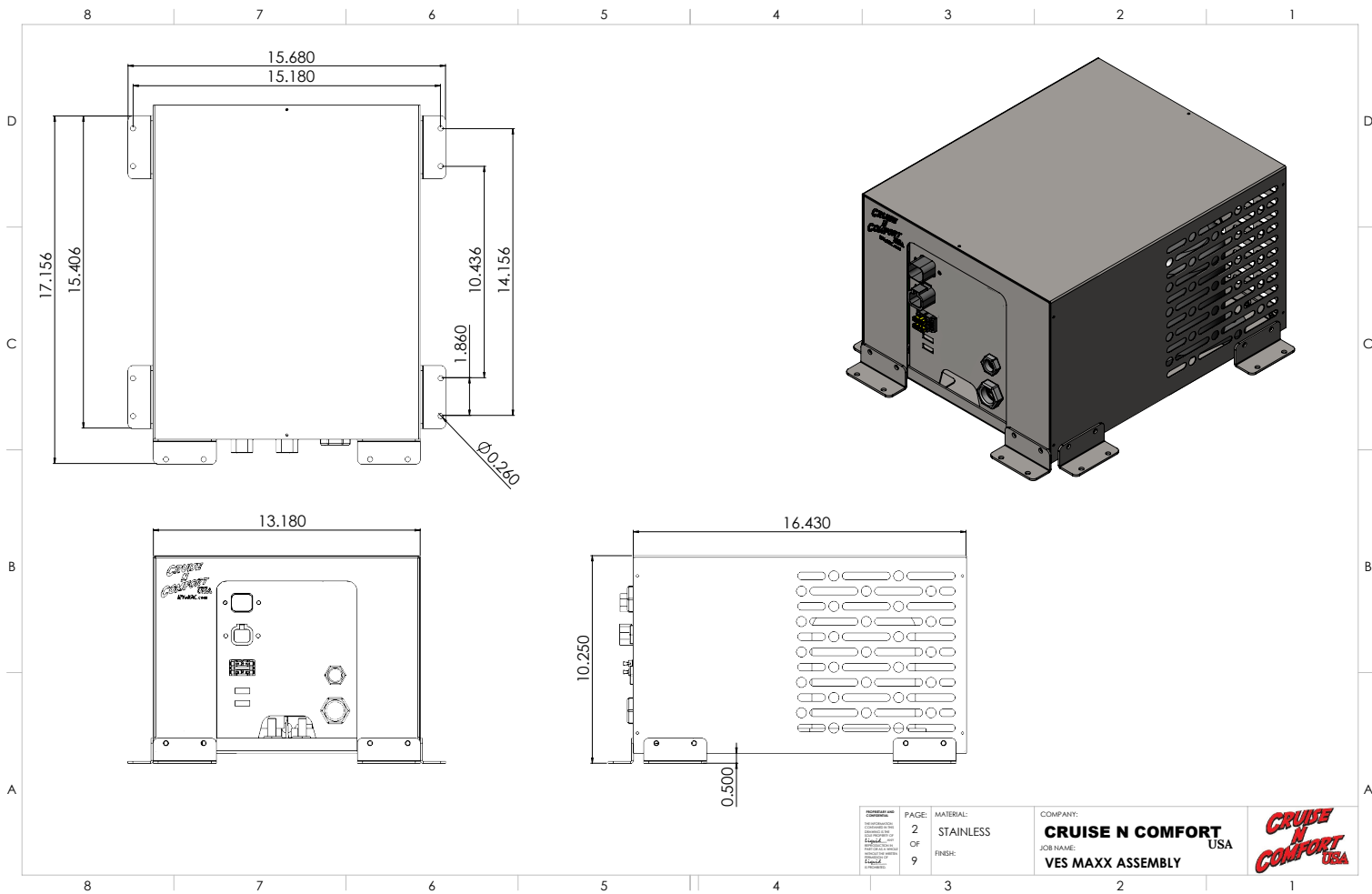
# MES MAXX ICEBOX

Introducing the MES Maxx ICEBOX - a groundbreaking innovation in air conditioning technology. This exceptional product showcases the power of two MES ICEBOX evaporators, complemented by twin variable-speed compressors. The ICEBOX evaporators redefine air distribution, offering precise cooling in two separate locations through the use of 4" vents and custom ducting, making it the ideal choice for larger areas. These evaporators are not only powerful but also energy-conscious, thanks to the integration of PWM Technology. Moreover, they are IP68 rated for durability, ensuring reliable performance even in challenging conditions. With composite evaporator and top or bottom mounting brackets, installation is a breeze. Designed and assembled in Arizona, the MES Maxx ICEBOX represents a commitment to quality and innovation that sets it apart. Experience superior cooling efficiency with MES Maxx ICEBOX, where cutting-edge technology meets reliability and excellence.



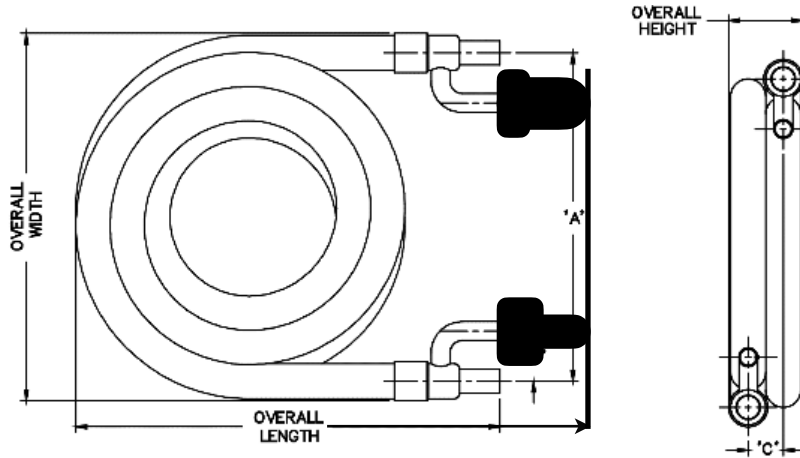
Weight 18.1 lbs

# Compressor Box Dimensions



<small>                 APPROVED FOR                  CONSTRUCTION                  DATE: 01/11/2017                  DRAWN BY: [Name]                  CHECKED BY: [Name]                  DATE: 01/11/2017             </small>	PAGE:	MATERIAL:	COMPANY:	
	2	STAINLESS	<b>CRUISE N COMFORT</b>	
	OF	ENSH:	USA	
9			JOB NAME:	
			<b>VES MAXX ASSEMBLY</b>	

# Cupronickel Condenser Dimensions



- Overall Length  
15 1/2"
- Overall Width  
11 3/8 in
- Overall Height  
2 3/8 in
- Dimension A (See Drawing)  
10 1/4 in
- Dimension B (See Drawing)  
2 in
- Dimension C (See Drawing)  
1 1/8 in
- Refrigerant Inlet Connection  
#8 Male Insert O-ring
- Refrigerant Outlet Connection  
#6 Male Insert O-ring
- Water Inlet Connection  
5/8 in (OD)
- Water Outlet Connection  
5/8 in (OD)
- Weight: 11 lbs