



CNC MARINE  
MES SELF CONTAINED



The MES Series is a tried and true design that we have been manufacturing since 2008. The Cruise N Comfort MES Series conditioners are built in our facility in Tempe, Arizona. They feature 300 Series Stainless Steel components and hardware, making them perfect for offshore solutions. These DC powered air conditioners are extremely efficient, because they operate directly from batteries and utilize our always active Eco Mode to reduce power consumption. Our MES Series air conditioners are a great alternative to using a marine generator and high voltage air conditioners.

Features:

- Tube in fin ElectroFin® E-Coated evaporators
- Highly efficient Cupronickel condensing coil with coaxial “tube-in-tube” design...Made in the USA
- Efficient variable speed rotary DC Compressor
- Variable Capacity baseline setting reduces compressor speed and power consumption
- 300 stainless steel hardware and chassis
- IP 68 rated 4” sealed blower
- Built to withstand the rigors of offshore racing
- Can be built for the supply blower to come out of top. This is a special request and should be requested at the time of ordering.

Dimensions:

22L x 12W x 10 1/2 H

Operating Voltage:

MES 12s 10-15 VDC  
 MES 12L 10-15 VDC  
 MES 24L 20-31 VDC  
 MES 48L 40-62 VDC

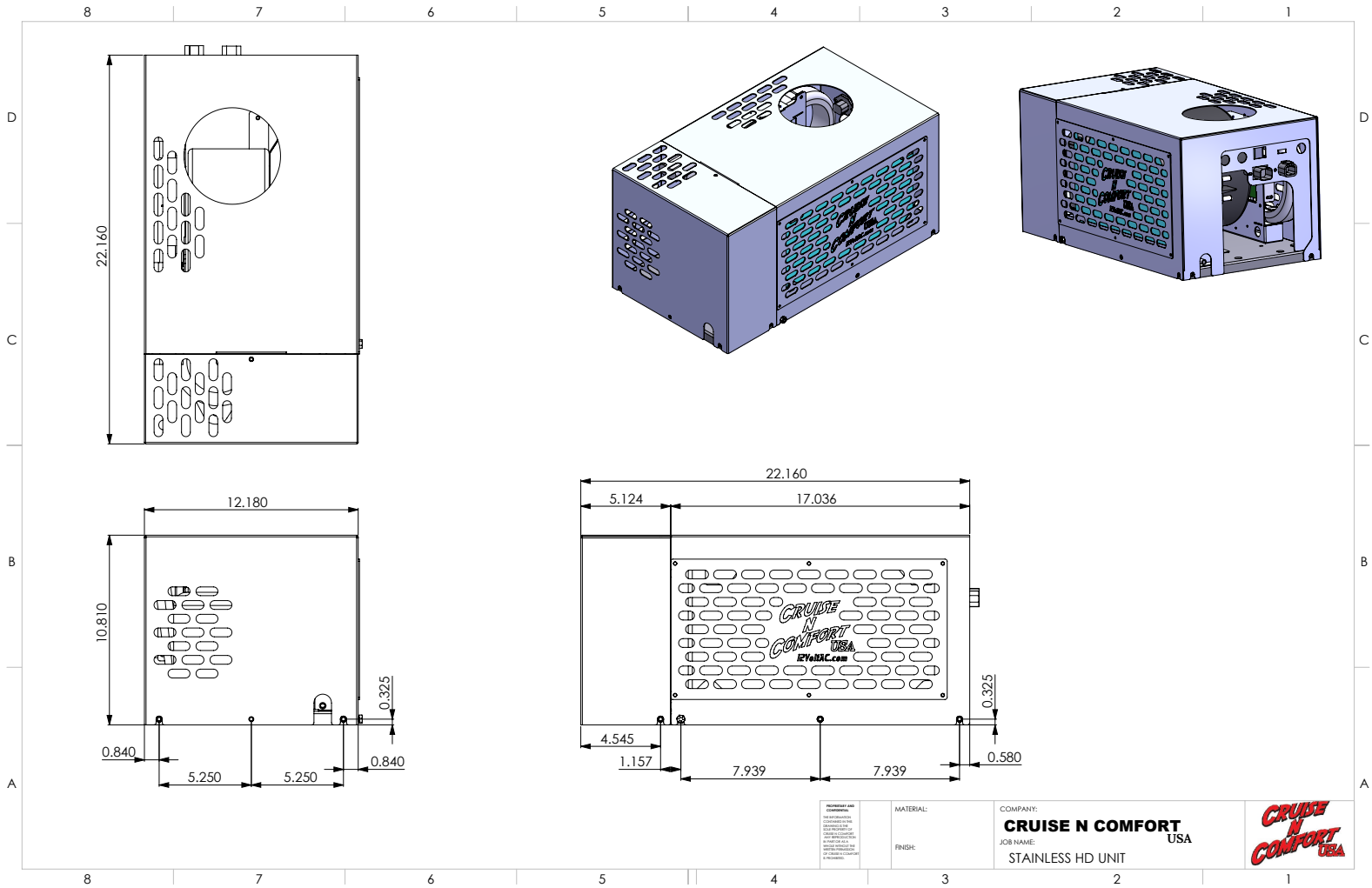
Current Consumption:

MES 12s 21-32 AMPS DC  
 MES 12L 35-48 AMPS DC  
 MES 24L 19-34 AMPS DC  
 MES 48L 8-14 AMPS DC

Capacity:

MES 12s 7.5K BTU  
 MES 12L 10K BTU  
 MES 24L 11.5K BTU  
 MES 48L 12K BTU

\*Current ratings are nominal. Current ratings can fluctuate depending on accessories and or operating conditions  
 All specifications and features are subject to change without notice.



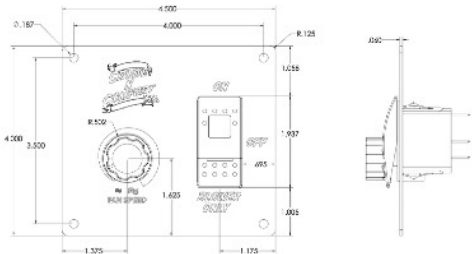
\* Solid Works 3D Models available



## Control Options for all models except MAXX and Classic

### Manual Control

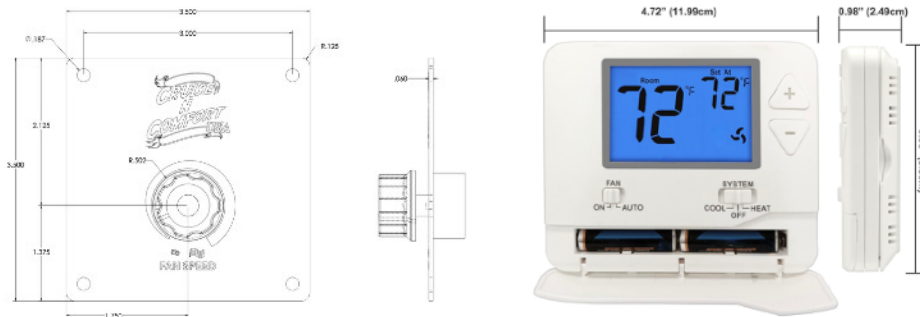
The Manual Control allows for on/ off / blower only control of our units. It can be panel mounted on the wall or dash of a vehicle. The panel also includes a potentiometer to control the PWM module blower speed controller.



### Thermostat Options

#### DT-07 Thermostat:

The DT-07 is a basic digital thermostat that will turn the unit off at the temperature set point. Includes two PWM potentiometer with mounting plate for efficient control. Thermostat also has a heat function that can trigger a heating device (24 volt DC Relay required). Available Colors: White (-W) or Black (-B)



**CRUISE N COMFORT USA**

1020 West Ranch Road Suite 102 Tempe, AZ 85284  
Tel: 1(855)899-1442 Fax: 1(888)246-2832

# WiFi Thermostat Options

Unlike competitor's WiFi thermostats, which either require a cellular chip activated by a specific carrier or only offer direct WiFi connection to a cell phone like Bluetooth, our WiFi thermostats broadcast over the internet when connected to a 2.4 GHz network of your choice. These connections can be established through a cellular phone from almost any carrier, a tablet, a WiFi hotspot, or even Starlink satellite WiFi. You can leave the internet device in the vehicle, allowing the thermostat to maintain an internet connection. This enables you to connect to, view, and control your vehicle's temperature, and turn the unit on or off from anywhere using the app.

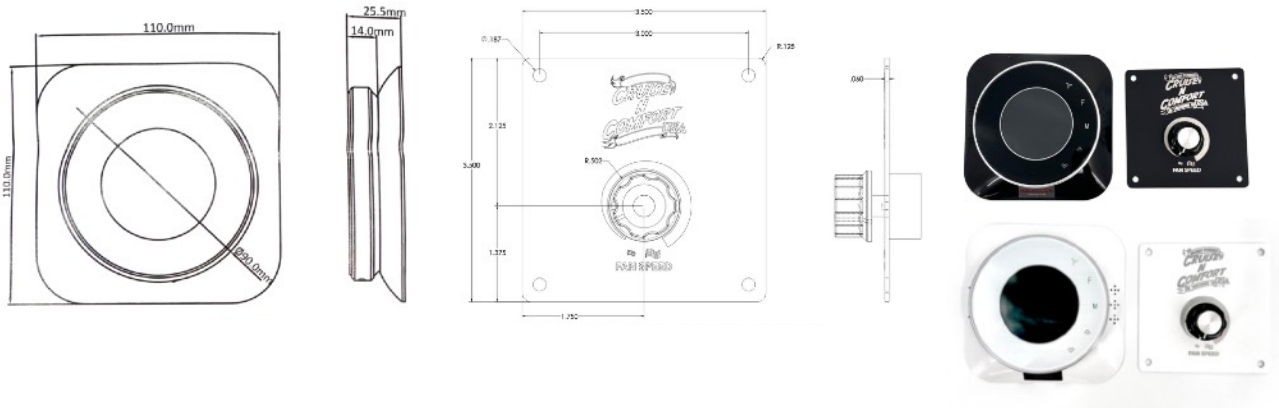
## DT-04 WiFi App Enabled Thermostat:

Our new thermostat is app enabled with a customer supplied WiFi connection and is prewired for our systems. Includes a PWM potentiometer with mounting plate for efficient blower control. Thermostat also has a heat function that can trigger a heating device (24 volt DC Relay required).

Available Colors: White (-W) or Black (-B)



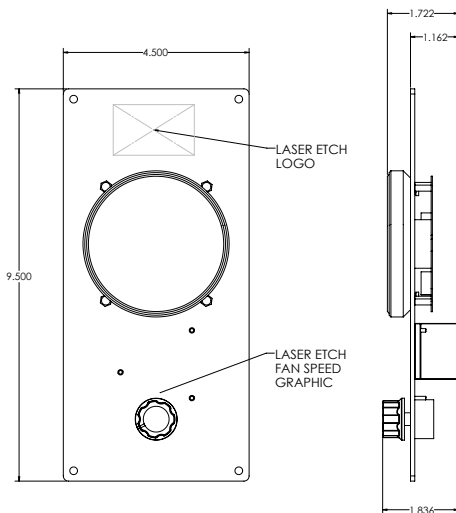
\*Wifi app compatible with internet hot spots and routers that can transmit 2.4 ghz.



## Thermostat Mounting Plate for DT-04-TP:

The DT-04-TP is an easy solution for mounting our DT-04 thermostats. We machine these brackets, powder-coat them and assemble them with our DT-04 thermostat.

Available Colors: White (-W) or Black (-B)

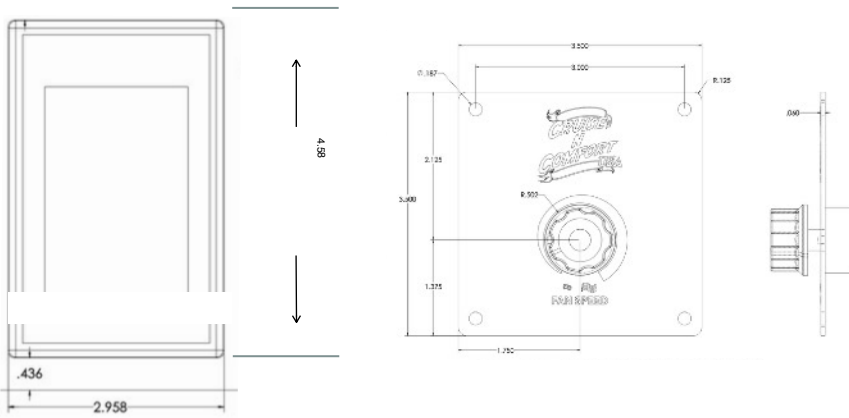


**DT-05 WiFi App Enabled Thermostat:**

Our new thermostat is app enabled with a customer supplied WiFi connection and is prewired for our systems. Includes a PWM potentiometer with mounting plate for efficient blower control. Thermostat also has a heat function that can trigger a heating device (24 volt DC Relay required). Available Colors: White (-W) or Black (-B)

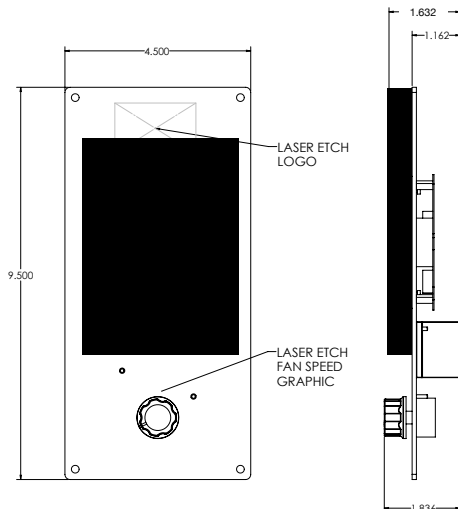


\*Wifi app compatible with internet hot spots and routers that can transmit 2.4 ghz.



**Thermostat Mounting Plate for DT-05-TP:**

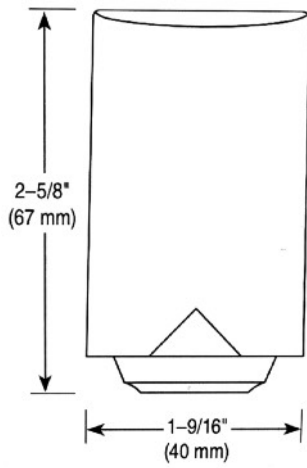
The DT-05-TP is an easy solution for mounting our DT-05 thermostats. We machine these brackets, powder-coat them and assemble them with our DT-05 thermostat. Available Colors: White (-W) or Black (-B)



### Optional Sensors for DT-05:

DT-OS Outdoor wired temperature sensor displays the actual outside temperature to the DT-05 thermostat. \*

Cruise N Comfort sticker can be removed

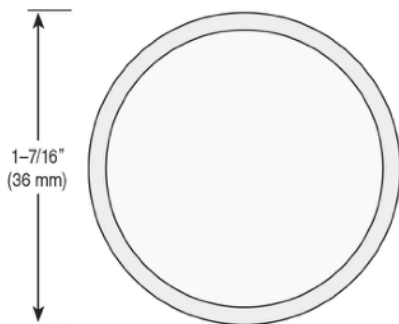


DT-IS Remote wired flush mount indoor sensor allows for temperature sensing in areas away from thermostat. The thermostat can then be set to take readings from the thermostat sensor, remote sensor or average between both.

\*Cruise N Comfort sticker can be removed



Front View



Side View

