



HD Series
12/24/48 Volt DC

The Heavy Duty (HD) Series air conditioners by Cruise N Comfort, first manufactured in 2010, share construction materials with the MES Marine units developed for the U.S. Navy and Army patrol boats. These mini split system air conditioners, ideal for harsh environments, are made with 300 Series Stainless Steel components and hardware, ensuring durability and longevity.

A standout feature of the HD Series is its efficiency, driven by the fact that they operate directly from batteries and incorporate Eco Mode variable compressor speed technology. This technology smartly adjusts the compressor's power usage, reducing its current draw when maximum cooling isn't necessary, leading to energy savings.

Furthermore, the units are equipped with R134a automotive-style service ports, simplifying both the initial charging process and future servicing. This user-friendly design makes maintenance more straightforward compared to other systems.

The HD Series Systems offer a practical alternative for heavy equipment and RVs, avoiding the need for retro fitting engine-mounted compressors or making structural modifications like cutting holes in roofs.

Being manufactured in Arizona, Cruise N Comfort assures superior support, parts availability, and customer service, setting them apart from competitors. This local production enables more responsive and tailored customer support.

FEATURES:

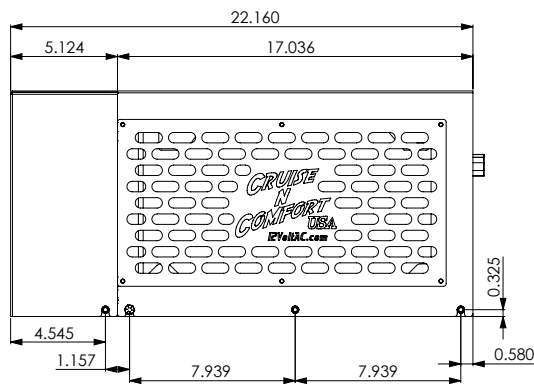
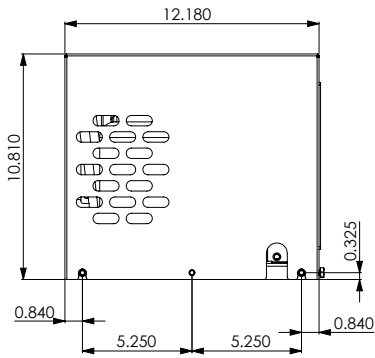
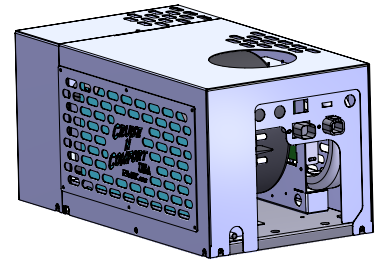
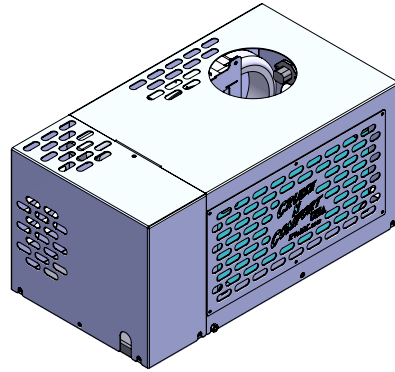
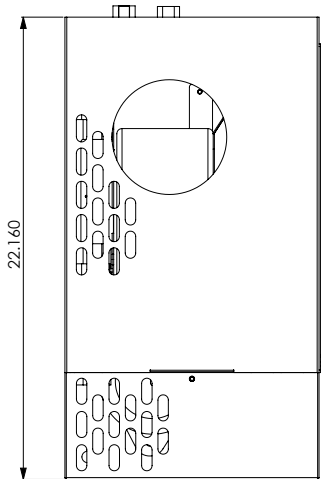
- SMALL SPACE SAVING DESIGN
- AVAILABLE DEEP EVAPORATOR CONDENSATION TRAY IS PERFECT FOR OFF ROAD OR HEAVY EQUIPMENT
- 360 DEGREE IP68 RATED 4" ROTATABLE BLOWER
- ENCLOSURE CAN BE HIDDEN AWAY IN CABINETS FROM VIEW
- SOFT STARTING COMPRESSOR PROGRAM TO INITIATE OILING AND TO LESSEN CURRENT LOAD.
- LOW POWER CONSUMPTION USING OUR ALWAYS ACTIVE ECO MODE VARIABLE SPEED COMPRESSOR
- LONG LASTING VARIABLE SPEED DC COMPRESSOR
- CAN BE BUILT FOR THE SUPPLY BLOWER TO COME OUT OF THE TOP. PLEASE NOTE THIS IS A SPECIAL REQUEST AND SHOULD BE REQUESTED AT THE TIME OF ORDERING.

SPECIFICATIONS:

OPERATING VOLTAGE	CURRENT CONSUMPTION	COOLING CAPACITY
12L- 10-15 VDC	12L- 38-55 AMPS*	12L- 10K BTU
24L- 20-31 VDC	24L- 20-33 AMPS*	24L- 11.5K BTU
48L- 40-62 VDC	48L- 8-16 AMPS*	48L- 12K BTU

*Current ratings are nominal. Current ratings can fluctuate depending on accessories and or operating conditions
All specifications and features are subject to change without notice.

8 7 6 5 4 3 2 1



PROPERTY AND
COPYRIGHT
© 2008 CRUISE N
COMFORT USA, INC.
ALL RIGHTS RESERVED.
NO PART OF THIS
DOCUMENTATION
MAY BE REPRODUCED
OR TRANSMITTED
IN ANY FORM OR
BY ANY MEANS,
ELECTRONIC OR
MECHANICAL,
INCLUDING
PHOTOCOPYING,
RECORDING, OR
BY ANY INFORMATION
SYSTEM.

MATERIAL:

FINISH:

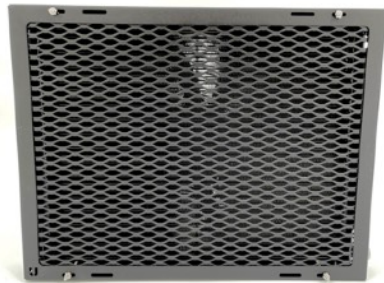
COMPANY:
CRUISE N COMFORT
USA
JOB NAME:
STAINLESS HD UNIT



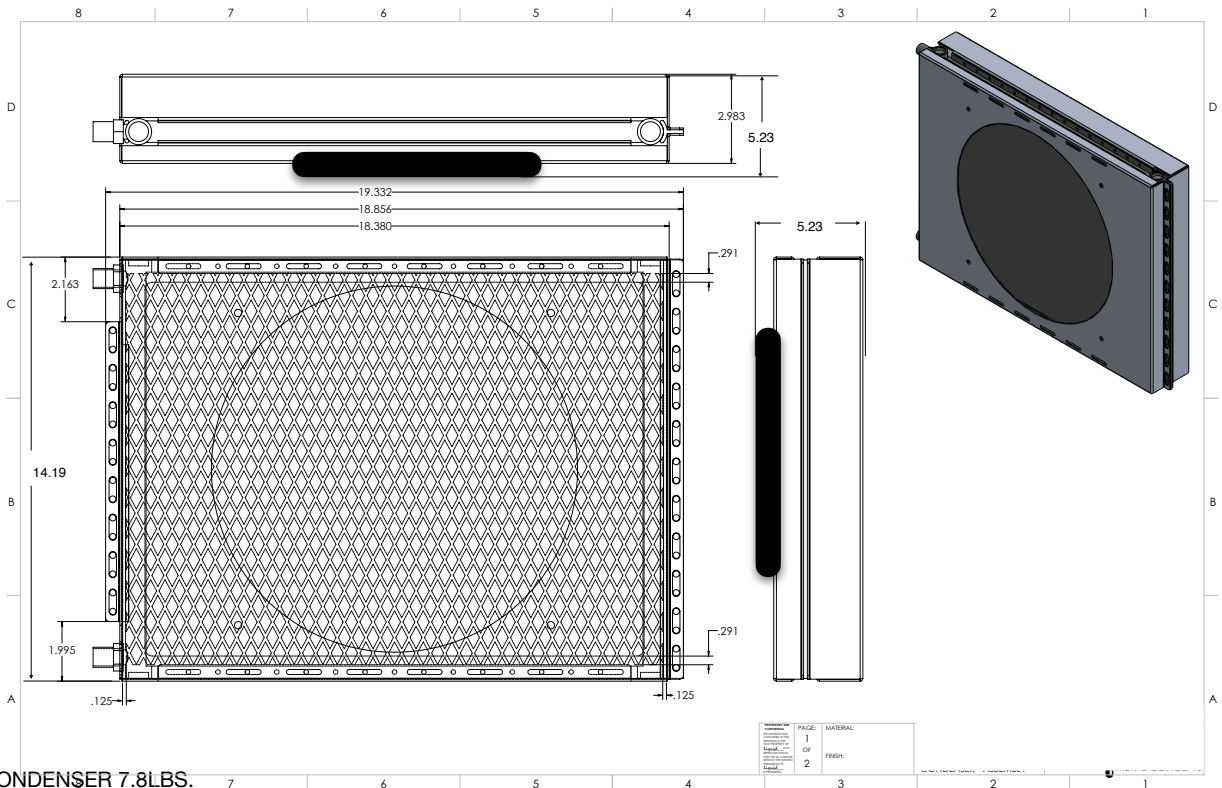
8 7 6 5 4 3 2 1

WEIGHT: 64.5 LBS.

Single Fan Condenser

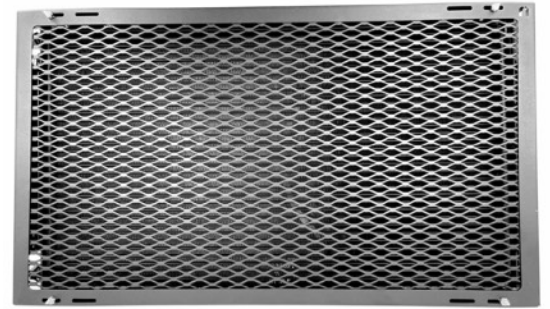


Optional Rock Guard

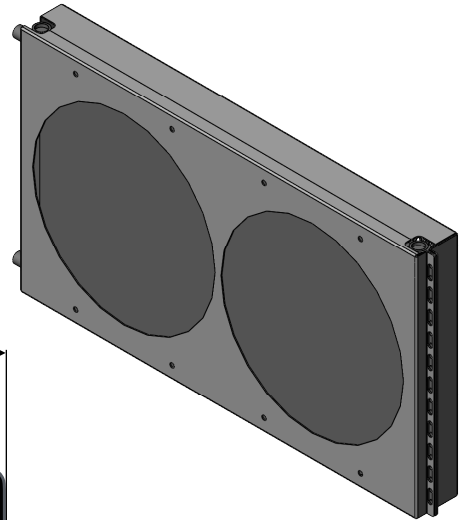
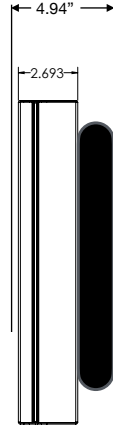
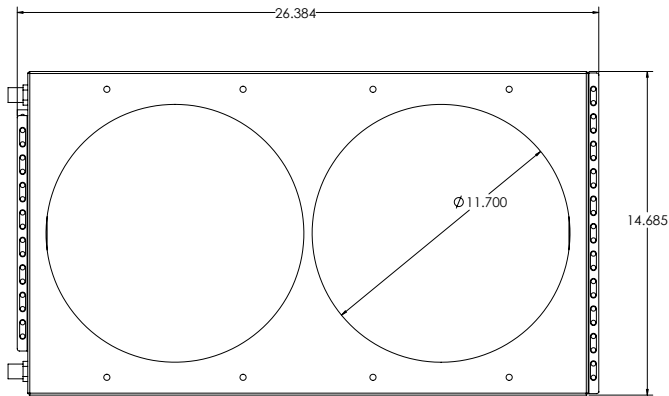
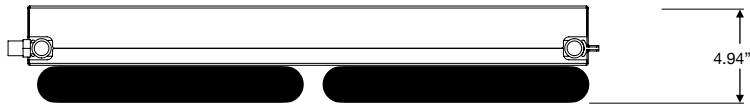


WEIGHT:
 SINGLE FAN CONDENSER 7.8 LBS.
 SINGLE FAN ROCK GUARD 1.6 LBS.

Optional Dual Fan Condenser



Optional Rock Guard Shown



WEIGHT:
DUAL FAN CONDENSER 11.7 LBS.
DUAL FAN ROCK GUARD 2.1 LBS.

Universal Condenser Mounting Brackets:

These mounting brackets are made of heavy Stainless Steel and include all stainless hardware. These brackets are universal and give you the ability to mount the condenser under, on top, or on the back of the vehicle. The brackets are completely adjustable.

Weight: 3.1 LBS

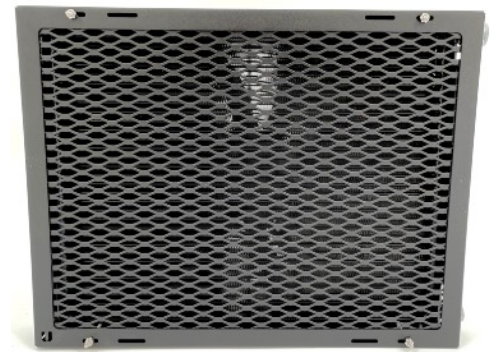


*optional rock guard shown



Condenser Rock Guard:

The CNC Rock Guard is designed to help protect our condensers from rocks and debris. This option is available for all of our condensers and come installed on the condenser when purchased at the time the condenser and main unit are ordered new. If you previously purchased a condenser from us it will fit, but we will need an email from you with the size of your condenser (single fan or dual fan). The unit is flat black powder-coated aluminum and resists salt and corrosion. Available for all of our condensers.

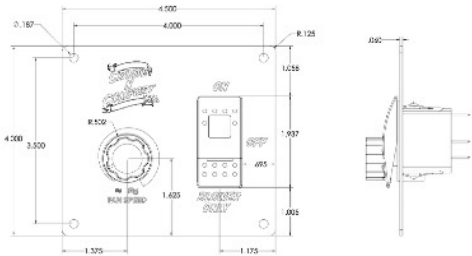




Control Options for all models except MAXX and Classic

Manual Control

The Manual Control allows for on/ off / blower only control of our units. It can be panel mounted on the wall or dash of a vehicle. The panel also includes a potentiometer to control the PWM module blower speed controller.



Thermostat Options

DT-07 Thermostat:

The DT-07 is a basic digital thermostat that will turn the unit off at the temperature set point. Includes two PWM potentiometer with mounting plate for efficient control. Thermostat also has a heat function that can trigger a heating device (24 volt DC Relay required).

Available Colors: White (-W) or Black (-B)



CRUISE N COMFORT USA

1020 West Ranch Road Suite 102 Tempe, AZ 85284

Tel: 1(855)899-1442 Fax: 1(888)246-2832

WiFi Thermostat Options

Unlike competitor's WiFi thermostats, which either require a cellular chip activated by a specific carrier or only offer direct WiFi connection to a cell phone like Bluetooth, our WiFi thermostats broadcast over the internet when connected to a 2.4 GHz network of your choice. These connections can be established through a cellular phone from almost any carrier, a tablet, a WiFi hotspot, or even Starlink satellite WiFi. You can leave the internet device in the vehicle, allowing the thermostat to maintain an internet connection. This enables you to connect to, view, and control your vehicle's temperature, and turn the unit on or off from anywhere using the app.

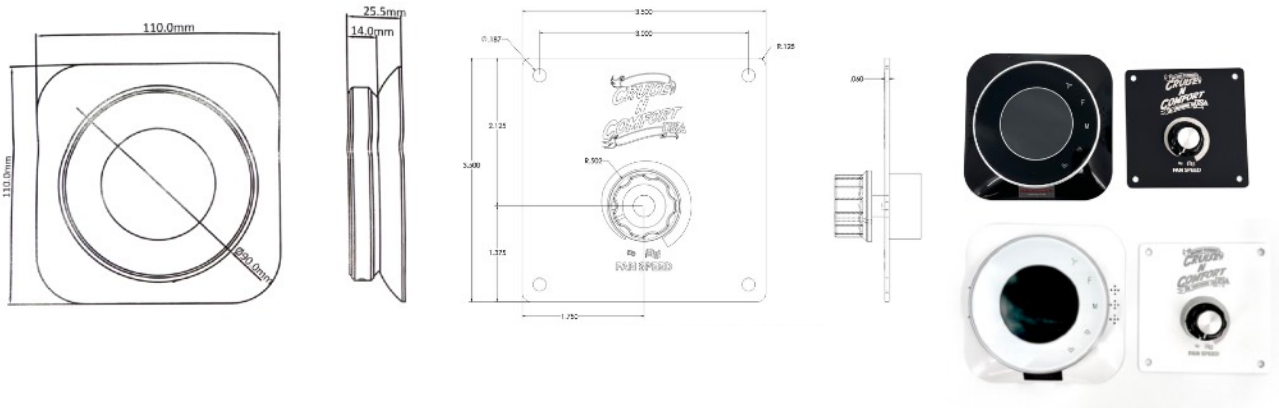
DT-04 WiFi App Enabled Thermostat:

Our new thermostat is app enabled with a customer supplied WiFi connection and is prewired for our systems. Includes a PWM potentiometer with mounting plate for efficient blower control. Thermostat also has a heat function that can trigger a heating device (24 volt DC Relay required).

Available Colors: White (-W) or Black (-B)



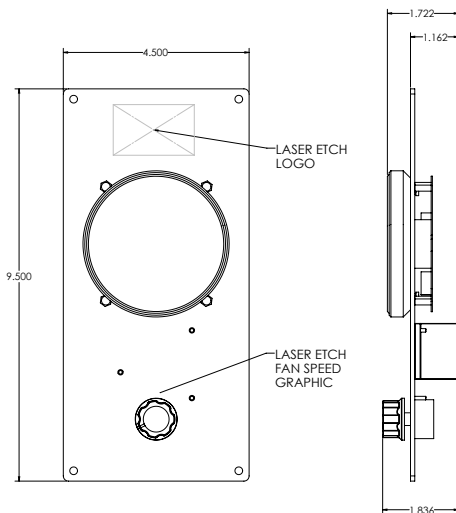
*Wifi app compatible with internet hot spots and routers that can transmit 2.4 ghz.



Thermostat Mounting Plate for DT-04-TP:

The DT-04-TP is an easy solution for mounting our DT-04 thermostats. We machine these brackets, powder-coat them and assemble them with our DT-04 thermostat.

Available Colors: White (-W) or Black (-B)

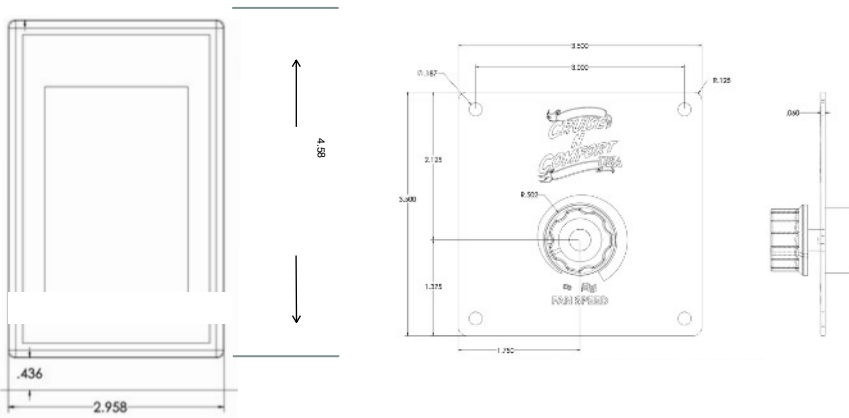


DT-05 WiFi App Enabled Thermostat:

Our new thermostat is app enabled with a customer supplied WiFi connection and is prewired for our systems. Includes a PWM potentiometer with mounting plate for efficient blower control. Thermostat also has a heat function that can trigger a heating device (24 volt DC Relay required). Available Colors: White (-W) or Black (-B)

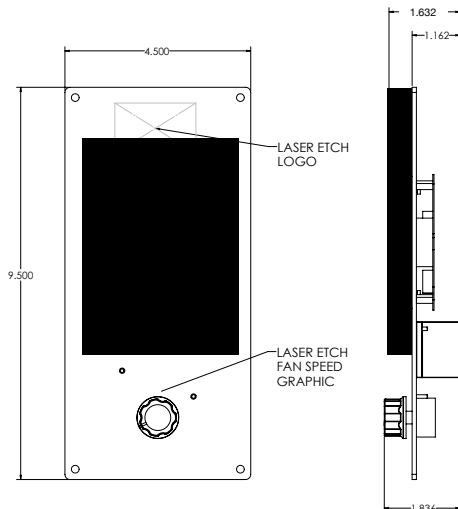


*Wifi app compatible with internet hot spots and routers that can transmit 2.4 ghz.



Thermostat Mounting Plate for DT-05-TP:

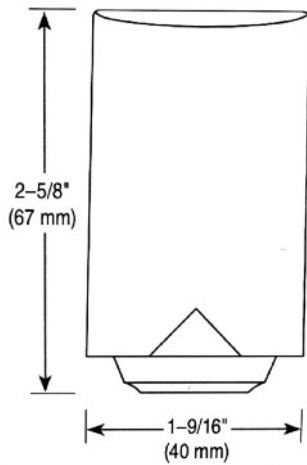
The DT-05-TP is an easy solution for mounting our DT-05 thermostats. We machine these brackets, powder-coat them and assemble them with our DT-05 thermostat. Available Colors: White (-W) or Black (-B)



Optional Sensors for DT-05:

DT-OS Outdoor wired temperature sensor displays the actual outside temperature to the DT-05 thermostat. *

Cruise N Comfort sticker can be removed

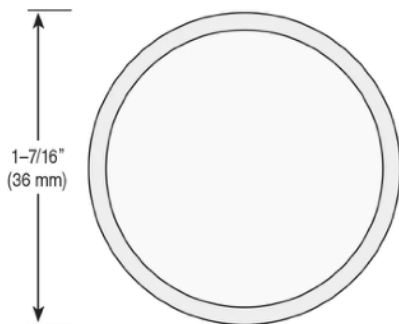


DT-IS Remote wired flush mount indoor sensor allows for temperature sensing in areas away from thermostat. The thermostat can then be set to take readings from the thermostat sensor, remote sensor or average between both.

*Cruise N Comfort sticker can be removed



Front View



Side View

