

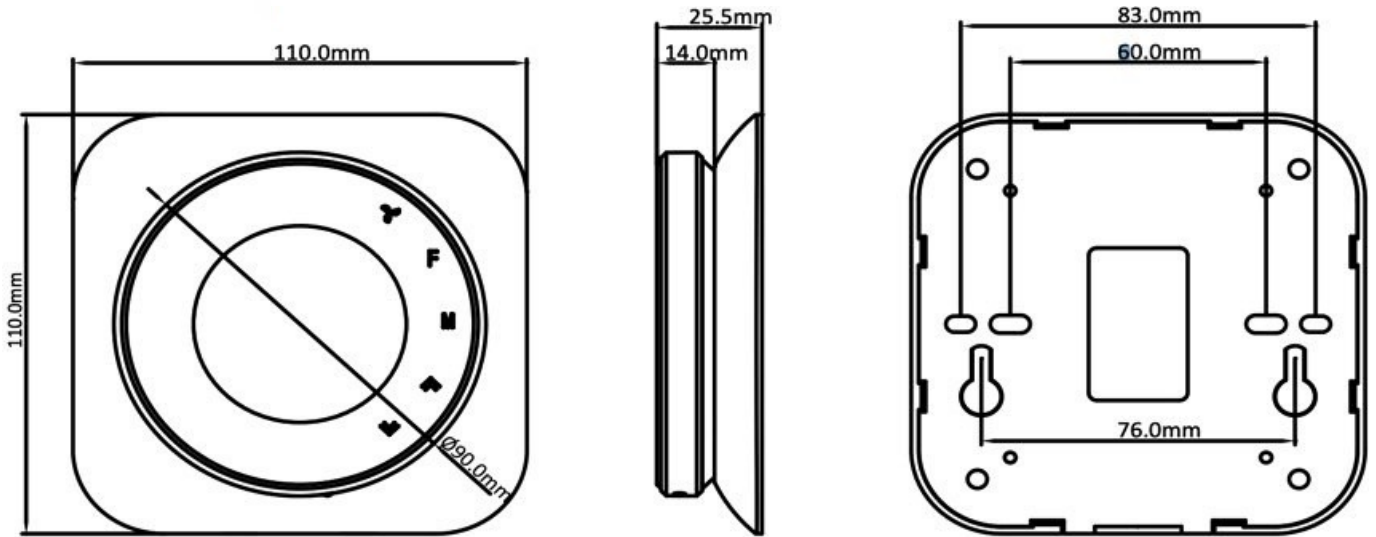


Cruise N Comfort USA DT-04

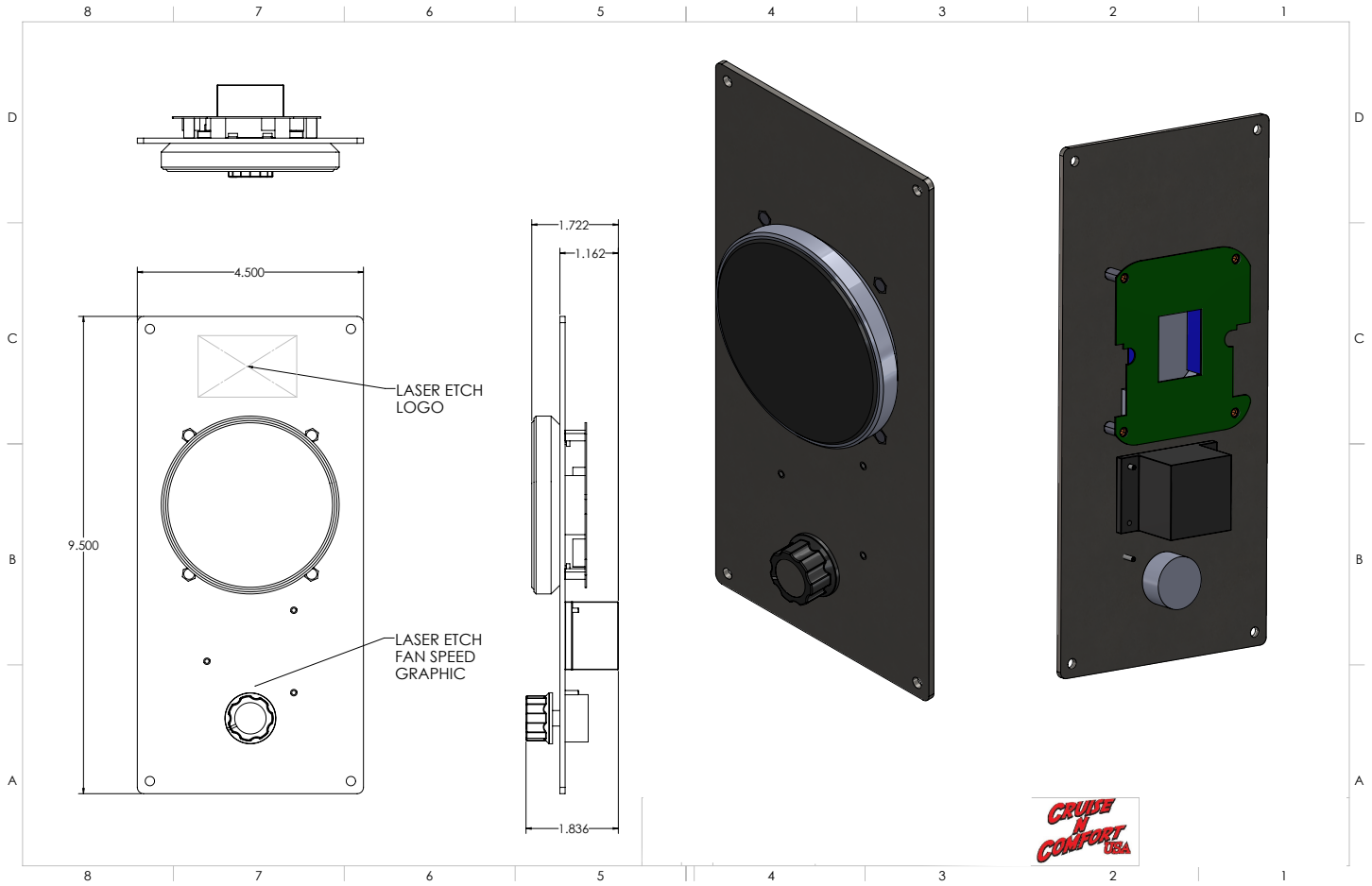
Your new DT-04-WiFi thermostat will provide uniform and comfortable temperature control throughout every room in your vehicle. We bring together technology, craftsmanship and the highest quality materials to provide you with a safe, reliable product combined with a sleek and contemporary design. Please read this installation/programming manual for comprehensive instructions on installing and operating your thermostat.



DT-04 Dimensions



DT-04-TP Dimensions



TECHNICAL DATA

Power Supply: 12V, 24V, 48V

Current Load: 1A (Inductive) 3A (Resistance) Range:
42-122°F(5~50°C)

Accuracy: ±1°F Display Temp.

Range: 41~210°F(5~99°C) Ambient

Temp: 32~113°F(0~45°C)

Ambient Humidity: 5~95%RH(Non Condensing) Storage

Temp: 23~113°F (-5~45°C) Timing Error: <1% Power

Consumption: <1.5W

Shell Material: PC+ABS(Fireproof)

Available Installation: Wall mounted or CNC thermostat panel

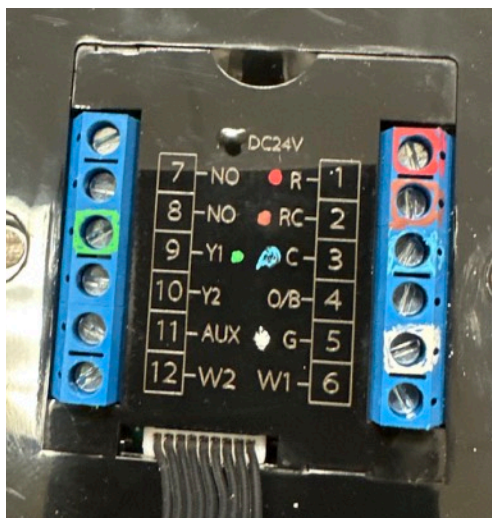
Wire Terminals: Wire 2×1.5mm² or 1×2.5mm² Protection Class: IP20

Buttons: Captive Touch Buttons

BEFORE WIRING AND INSTALLING

1. Read these instructions carefully. Failure to follow them could damage the product or cause a hazardous condition.
2. Check the ratings given in the instructions and on the product to make sure the product is suitable for your application.
3. Installer must be a trained, experienced service technician.
4. After installation is complete, check out product operation as provided in these instructions.

Electrical Shock or Equipment Damage Hazard. Can shock individuals or short equipment circuitry. Disconnect power supply before installation.



R- #1 Red 24VDC +in from a/c control board / thermostat power

RC-#2 Brown + positive in from a/c control board turn on compressor circuit/blower

C- #3 Blue - negative in from a/c control board thermostat power

G- #5 White + positive out to a/c control board turn on evap blower

Y1 - #9 Green + out to a/c control board turn on compressor

WIRING

This thermostat is pre wired with a proprietary connector designed to work with our systems.

INSTALLATION FOR WALL MOUNTING DRT-04 (UNITS WITHOUT MOUNTING PLATES):

Step 1. Keep disconnected from power.

Step 2. Remove the mounting plate by rotating the LCD part. See Fig 2.

Step 3. Open the insulating cover. See Fig 3.

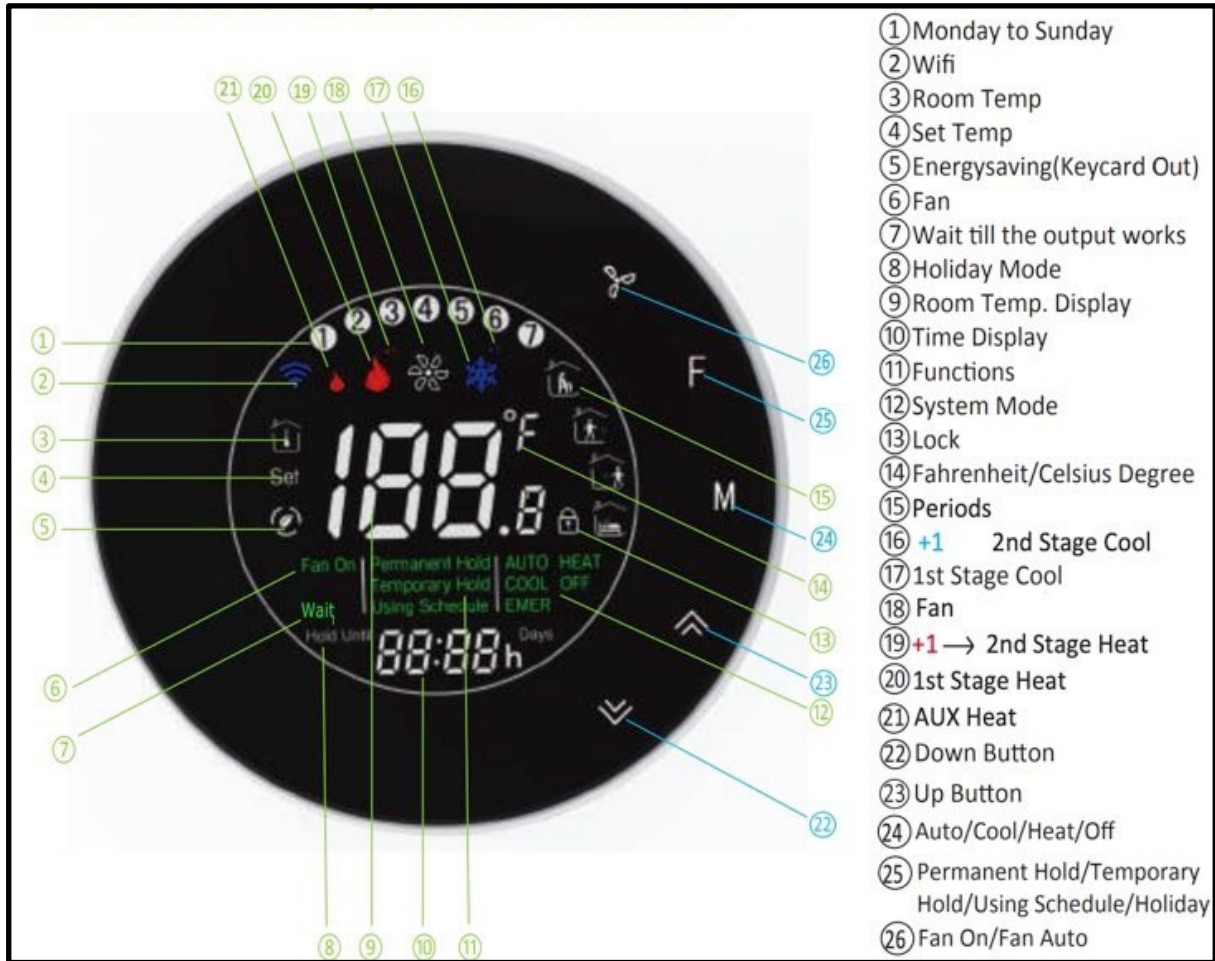
Step 4. Connect power supply and load into the appropriate terminals. (see “Wiring your thermostat” for details and Fig 4).

Step 5. Close the insulating cover and fasten body of thermostat and the mounting plate by rotating. See Fig 5.

Step 6. Measure the position you want to place and lock the two screws in the box into the wall. Fix the head of screws into the slot of the back of thermostat. See Fig 6.



HOME SCREEN QUICK REFERENCE



OPERATION

1. Setting the Fan (Continuous Run Fan Only Available On Some Models)

Press the fan button to select the Fan Auto, Fan ON. Auto indicates fan is running its schedule; On indicates fan schedule is set to On.

2. Function and Programmable

Press and hold F to set the Permanent Hold, Using Schedule, Temporary Hold. These functions will appear on the screen. Permanent Hold - Manual. In this mode, press to set temperature.

Temporary Hold. During Using Schedule or in this mode, press to set the temporary temp. It will be invalid till the start time of the next scheduled period. Using Schedule. 5+1+1 four periods programmable. Holiday Mode. Changes temperature setting for a designated number of days.

How to set your time?

Press and hold F for 5 sec. till the min. of time will flash;

Touch the icon to set your minute. Then press F, the hour of time will flash; Touch the icon to set your hour. Then press F, the week of time will flash; Touch the DOWN icon to set your week

How to lock / unlock screen?

Press and hold the UP / DOWN arrows for 5 seconds to either lock or unlock screen

Schedule Period	Time	Setpoints	
		Heat	Cool
Get Up	6:00 AM	72°F (22°C)	72°F (22°C)
Go Out	8:00 AM	72°F (22°C)	72°F (22°C)
Go Home	11:30 AM	72°F (22°C)	72°F (22°C)
Sleep	01:30 AM	72°F (22°C)	72°F (22°C)

How to adjust your schedule?

After the above time setting, touch the icon F appear(1 2 3 4 5 will show along the top of the screen). Use the and arrows to adjust the time for the 1st period (Get Up).

Press the icon F and use the and arrows to set the temp. for the 1st period. Repeat this process for periods 2-4.

Get Up — Period when you awaken and want your home at a comfortable temperature.

Go Out — Period when you are away from home and want an energy-saving temperature.

Go Home — Period when you return home and want your home back to a comfortable temperature.

Sleep — Period when you are asleep and want an energy saving temperature

How to adjust your holiday?

Press F till the letters Hold Until displays and days flash on the screen than click and arrows to set the days of holiday. When the flashing of days stops, you can press and arrows to set the temp.. Holiday mode will be valid immediately. »

3. Selecting System Mode

Press M to select between COOLand OFF modes. Other modes are not supported

4. Advanced Options

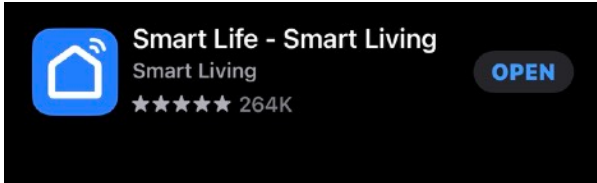
Press the fan button and hold the button for 5 seconds in order to reach system functions. Then press again to change the different items.

User Setup Number / Letter	Function	Setting and options	Default
1	Temperature Calibration	-7 to -1 C (-13 to -2 F)	-5
2	Temp Difference for the change of system in auto mode	0 to 5 C (0 to 9 F)	3
3	Fahrenheit (F) or Celsius (C)	0: C setting 1: F Setting	1
4	Filter change reminder	0-5 (months)	0
5	Minimum set temperature	5 - 15 C (41F to 59F)	5
6	Maximum set temperature	15 - 45	45
7	12/24 hours	0: 12h 1: 24h	0
8	O/B	0: Heat 1: Cool	1
9	Heat Pump / Air Conditioner	0-Heat pump 1-Air Conditioner	1
A	Date (month)	Select number of current calendar month (1-12)	1
B	Date (day)	Select number of current calendar day (1-31)	1
C	Deadband temp	1 to 5 C (2 to 9 F)	1
D	Backlight Adjustment	3 - 99 (brightness)	10
E	Delay Setting for output	1-5 minute	1
F	Fan output	0: Without Fan 1: With Fan	1

WI-FI CONNECTION AND OPERATING WITH SMART LIFE APP

Before using your Wi-Fi thermostat for the first time, you must configure the Wi-Fi signal and settings through your smartphone or tablet or WiFi hotspot. This will allow communication between your connected devices.

Step 1 Download your APP



For IOS devices, search for Smart Life in Apple Store and download.) For Android devices, search for Smart Life in Google play and download.

Important

Cruise N Comfort supplies the DT-04-WiFi thermostat that has WiFi and app-capable options. Success with using these options depends on WiFi connection, software, and hardware. ***Please never leave animals or children unattended in the vehicle being cooled, if the equipment failed death or severe injury could result.***

Step 2 Register your account

Open your My Smart Thermostat, you will get a piece of notification. Click Allow to go into your page of register Press register and enter your phone no. or email then you can get a verification code. Input your password and confirm to complete your registration. If you have account, please log in

Step 3 Connect your Wi-Fi signal

On your thermostat

Press and hold the down arrow for eight (8) seconds. The backlight will be on and the wifi icon will flash one time per second

Then, go back to the home page of your app

Press the + on the upper right corner of the page to add your device. Click Confirm indicator rapidly blink then select your network and back to your app to enter the password of your wireless router and confirm. The app will connect automatically. This may typically take up to 5~90 seconds to complete.

PROGRAMMING YOUR THERMOSTAT

When your room is established successfully, it will display on the home screen. Click the line into beginning programming our thermostat.

Power on/off button. When the screen is bright, it is power on; when the screen is dark, it is power off

The horizontal line symbol represents function and you can choose Permanent Hold/Temporary Hold/Using Schedule/Holiday Hold.

The perpendicular ovals are for the mode, press it you can choose Auto/ Cool/Heat/Timer/Off. The cube symbol is what to press so you can set the device name, location, great group and so on.

Press - + to adjust the temperature. The adjusted temperature will be displayed at the application center interface.

- * When in Program mode, click on the setting symbol (at the bottom of the page) to be taken to the schedule page.
- * You can set the temperature for a week and for different periods of the day.
- * Once your schedule has been set, click on SAVE and the app will send the programming to your thermostat and confirm the schedule has been saved.